

## LED Spot Light - Zoom



**EST-DTD055L**  
recessed



**EST-DTD055W**  
recessed



**EST-SDN030D**  
standing



**EST-SDN030M**  
recessed

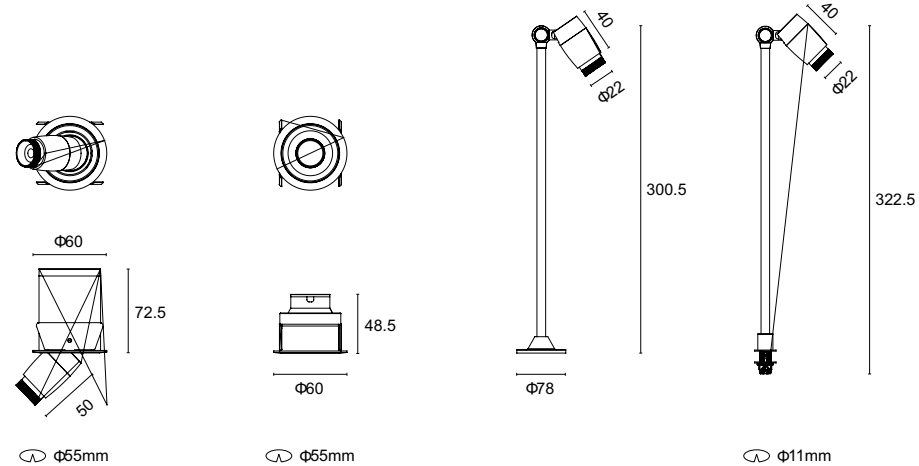
### General Information

Optics	EST-DTD055L	EST-DTD055W	EST-SDN030D	EST-SDN030M
	10°~36° Zoomable	10°~36° Zoomable	10°~36° Zoomable	10°~36° Zoomable
System Power (Watt)	<b>3W</b>	<b>3W</b>	<b>3W</b>	<b>3W</b>
System Luminous flux (lm)	100lm	100lm	100lm	100lm
Driver parameters	3V/670mA	3V/670mA	3V/670mA	3V/670mA
Cut out (mm)	Φ55	Φ55		Φ

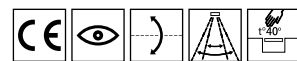
### Technical Details

Light Source	LED SMD
Colour temperature	2700K/3000K/4000K
CRI (Ra/R9)	RA>90/R9>50
Colour Consistency	SDCM<5
UGR	<9
IP rated	IP20
Lifetime	>50,000h
Warranty	3 Years/5 Years
Driver	ON/OFF, Phase, 0 10V Dali

### Dimensions (mm)



### Finishes

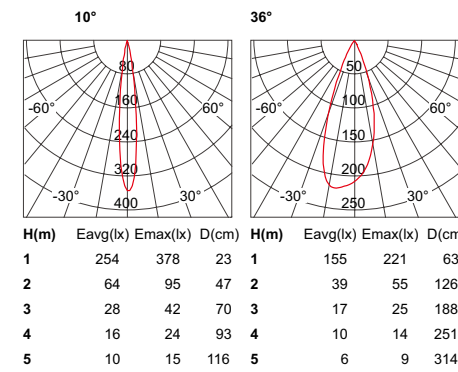


White

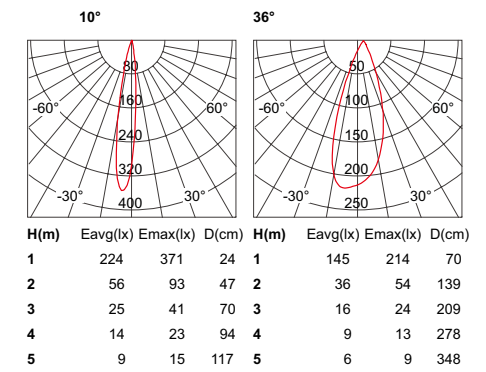
Black

## PHOTOMETRIC

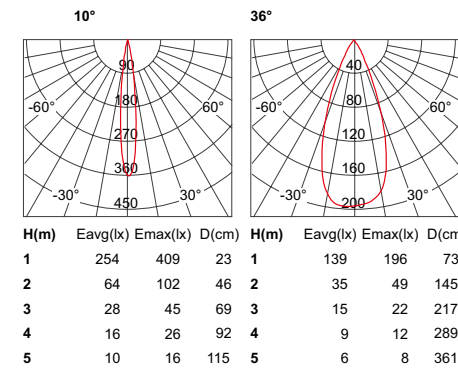
### EST-DTD055L 3W



### EST-DTD055W 3W



### EST-SDN030D 3W



### EST-SDN030M 3W

