

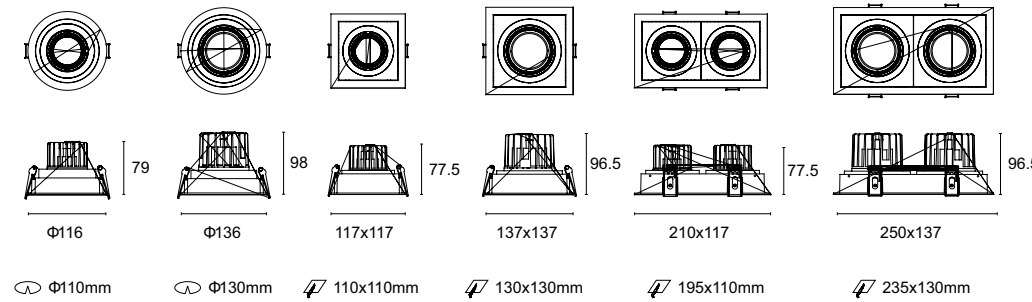


	EST-DTQ110A recessed	EST-DTQ130A recessed	EST-DTQ11AX recessed	EST-DTQ13AX recessed	EST-DTQ11CX recessed	EST-DTQ13DX recessed
General Information						
Optics	15°/24°/40° Adjustable	15°/24°/40° Adjustable	15°/24°/40° Adjustable	15°/24°/40° Adjustable	15°/24°/40° Adjustable	15°/24°/40° Adjustable
System Power (Watt)	9W	18W	9W	18W	9W*2	18W*2
System Luminous flux (lm)	700 lm	1500 lm	700 lm	1500 lm	700 lm*2	1500 lm*2
Driver parameters	36V/210mA	36V/440mA	36V/210mA	36V/440mA	36V/210mA	36V/440mA
Cut out (mm)	Φ110	Φ130	110x110	130x130	195x110	235x130

Technical Details

Light Source	LED COB
Colour temperature	2700K/3000K/4000K
CRI (Ra/R9)	RA>90/R9>50
Colour Consistency	SDCM<3
UGR	<16
IP rated	IP20
Lifetime	>50,000h
Warranty	3 Years/5 Years
Driver	ON/OFF, Phase, 0 10V Dali

Dimensions (mm)



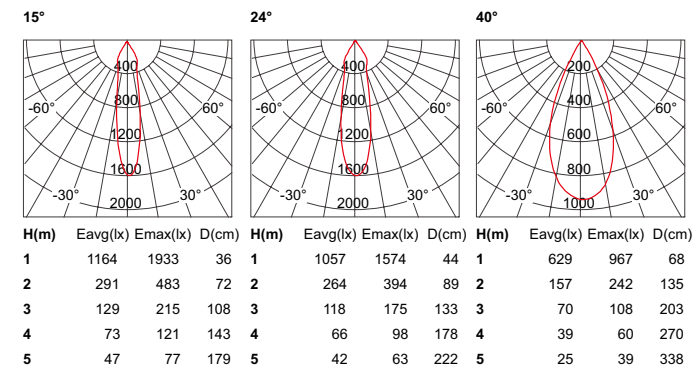
Finishes



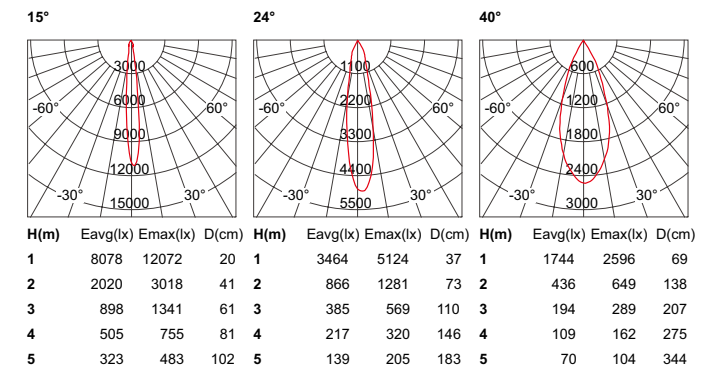
White Black

PHOTOMETRIC

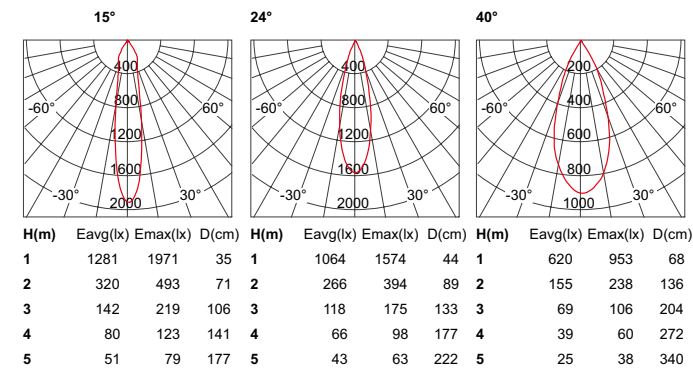
EST-DTQ110A 9W



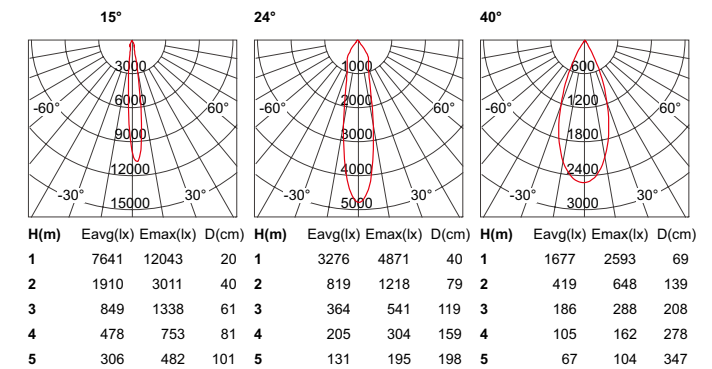
EST-DTQ130A 18W



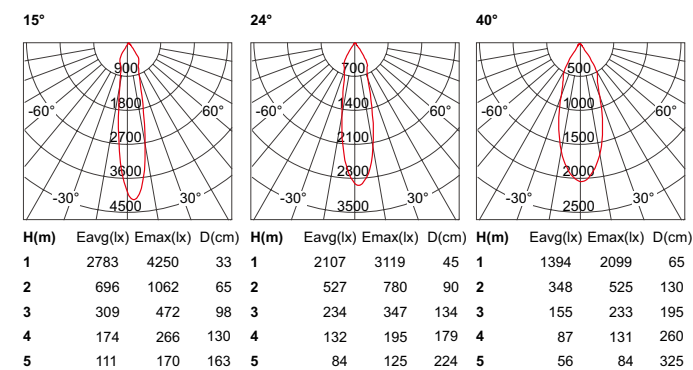
EST-DTQ11AX 9W



EST-DTQ13AX 18W



EST-DTQ11CX 9Wx2



EST-DTQ13DX 18Wx2

