

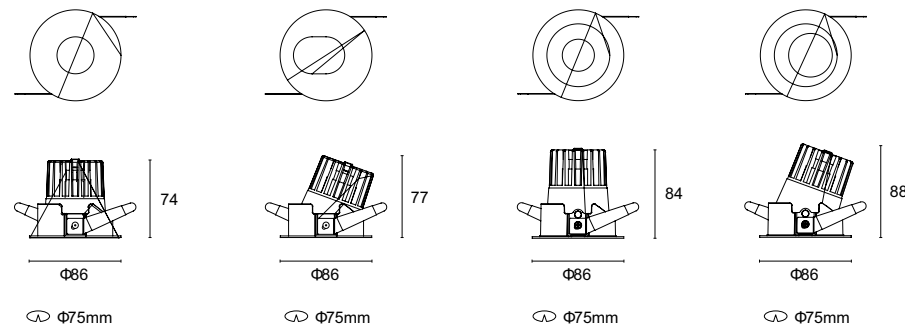


|                            | <b>EST-DDH0750</b><br>recessed | <b>EST-DSH075T</b><br>recessed | <b>EST-DDH075A</b><br>recessed | <b>EST-DSH075X</b><br>recessed |
|----------------------------|--------------------------------|--------------------------------|--------------------------------|--------------------------------|
| <b>General Information</b> |                                |                                |                                |                                |
| Optics                     | 15°/24°/40°<br>Fixed           | 15°/24°/40°<br>Adjustable      | 15°/24°/40°<br>Fixed           | 15°/24°/40°<br>Adjustable      |
| System Power (Watt)        | <b>7W/9W</b>                   | <b>7W/9W</b>                   | <b>7W/9W</b>                   | <b>7W/9W</b>                   |
| System Luminous flux (lm)  | 400lm/450lm                    | 400lm/450lm                    | 400lm/450lm                    | 400lm/450lm                    |
| Driver parameters          | 36V/(160mA/210mA)              | 36V/(160mA/210mA)              | 36V/(160mA/210mA)              | 36V/(160mA/210mA)              |
| Cut out (mm)               | Φ75                            | Φ75                            | Φ75                            | Φ75                            |

**Technical Details**

|                    |                           |
|--------------------|---------------------------|
| Light Source       | LED COB                   |
| Colour temperature | 2700K/3000K/4000K         |
| CRI (Ra/R9)        | RA>90/R9>50               |
| Colour Consistency | SDCM<3                    |
| UGR                | <16                       |
| IP rated           | IP20                      |
| Lifetime           | >50,000h                  |
| Warranty           | 3 Years/5 Years           |
| Driver             | ON/OFF, Phase, 0 10V Dali |

**Dimensions (mm)**



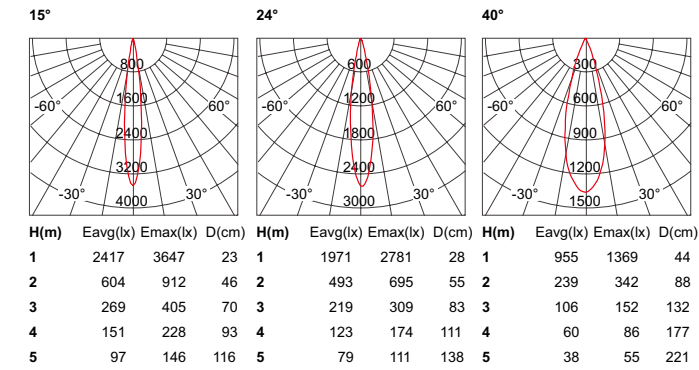
**Finishes**



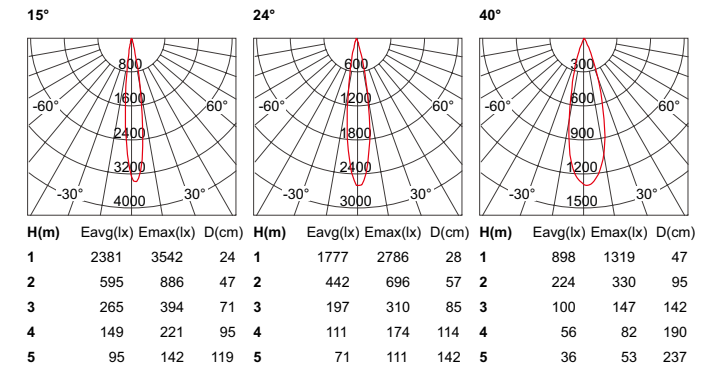
White Black

**PHOTOMETRIC**

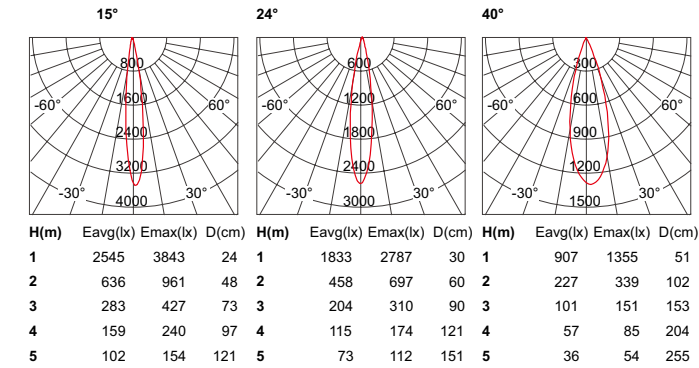
**EST-DDH0750 7W**



**EST-DSH075T 7W**



**EST-DDH075A 7W**



**EST-DSH075X 7W**

