

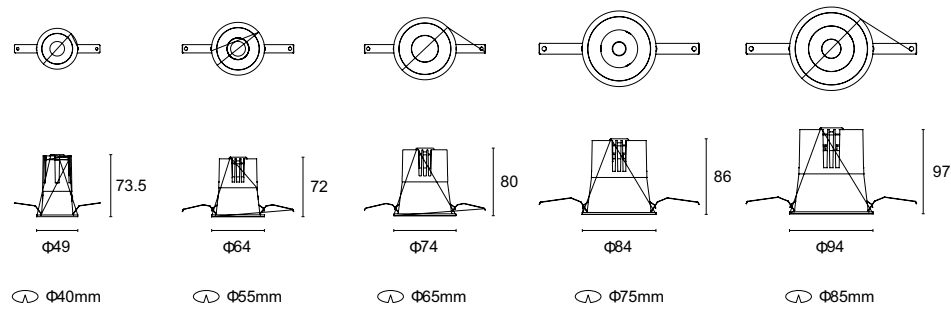


	EST-DDI040Y recessed	EST-DDI055Y recessed	EST-DDI065Y recessed	EST-DDI075Y recessed	EST-DDI085Y recessed
General Information					
Optics	10°/15°/24° Fixed	15°/24°/36° Fixed	15°/24°/36° Fixed	15°/24°/36° Fixed	15°/24°/36° Fixed
System Power (Watt)	5W	5W	7W	9W	15W
System Luminous flux (lm)	250lm	300lm	500lm	680lm	1050lm
Driver parameters	3V/1000mA	36V/110mA	36V/160mA	36V/210mA	36V/360mA
Cut out (mm)	Φ40	Φ55	Φ65	Φ75	Φ85

Technical Details

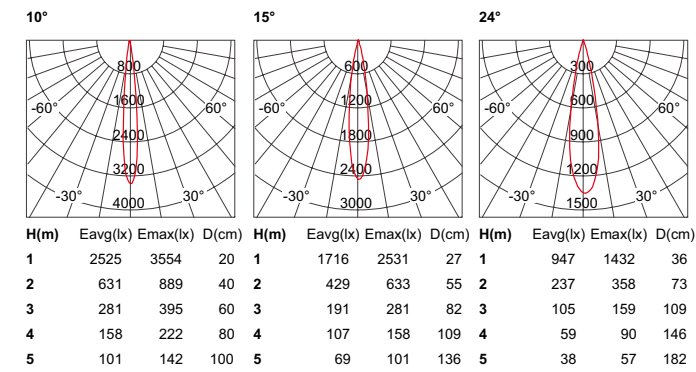
Light Source	LED SMD	LED COB
Colour temperature	2700K/3000K/4000K	
CRI (Ra/R9)	RA>90/R9>50	
Colour Consistency	SDCM<5	SDCM<3
UGR	<16	
IP rated	IP20	
Lifetime	>50,000h	
Warranty	3 Years/5 Years	
Driver	ON/OFF, Phase, 0 10V Dali	

Dimensions (mm)

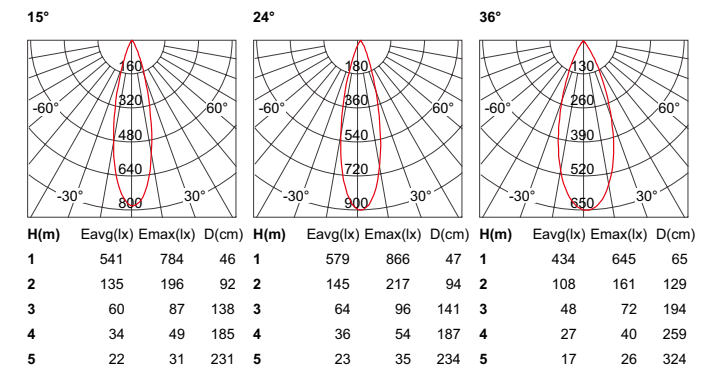


PHOTOMETRIC

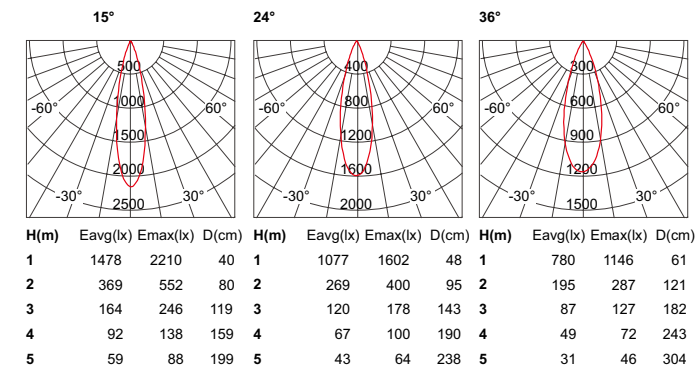
EST-DDI040Y 5W



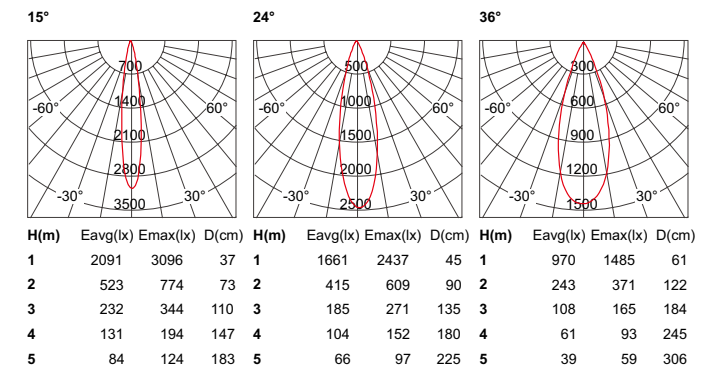
EST-DDI055Y 5W



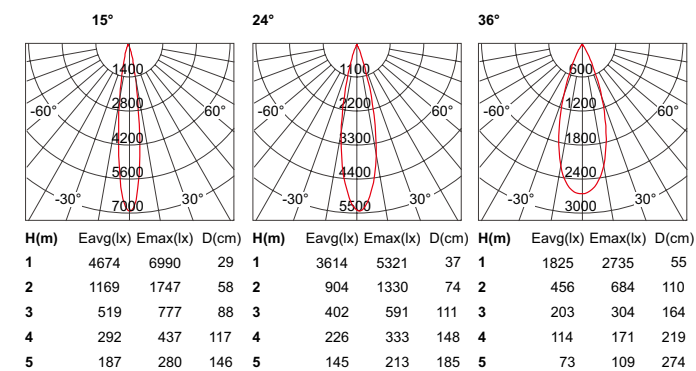
EST-DDI065Y 7W



EST-DDI075Y 9W



EST-DDI085Y 15W



Accessories



Honey comb louvre Prismatic Spread Softening Lens

Secondary Reflector



Chrome Gold Chrome Black

Colour Filter



Red Blue Yellow Green