

## LED Spot Light

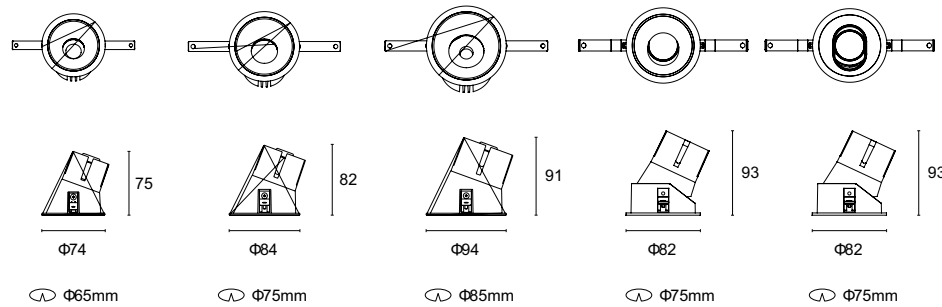


	<b>EST-DDI065X</b> recessed	<b>EST-DDI075X</b> recessed	<b>EST-DDI085X</b> recessed	<b>EST-DSI075X</b> recessed	<b>EST-DSI075T</b> recessed
<b>General Information</b>					
Optics	15°/24°/36° Fixed	15°/24°/36° Fixed	15°/24°/36° Fixed	15°/24°/36° Adjustable	15°/24°/36° Adjustable
System Power (Watt)	<b>5W</b>	<b>7W</b>	<b>9W</b>	<b>7W</b>	<b>7W</b>
System Luminous flux (lm)	280lm	500lm	700lm	500lm	420lm
Driver parameters	36V/110mA	36V/160mA	36V/210mA	36V/160mA	36V/160mA
Cut out (mm)	Φ65	Φ75	Φ85	Φ75	Φ75

### Technical Details

Light Source	LED COB
Colour temperature	2700K/3000K/4000K
CRI (Ra/R9)	RA>90/R9>50
Colour Consistency	SDCM<3
UGR	<16
IP rated	IP20
Lifetime	>50,000h
Warranty	3 Years/5 Years
Driver	ON/OFF, Phase, 0 10V Dali

### Dimensions (mm)



### Accessories



Honey comb louvre Prismatic Spread Softening Lens

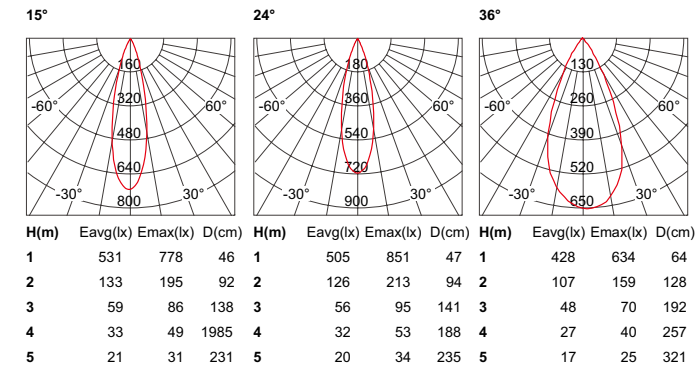
### Secondary Reflector



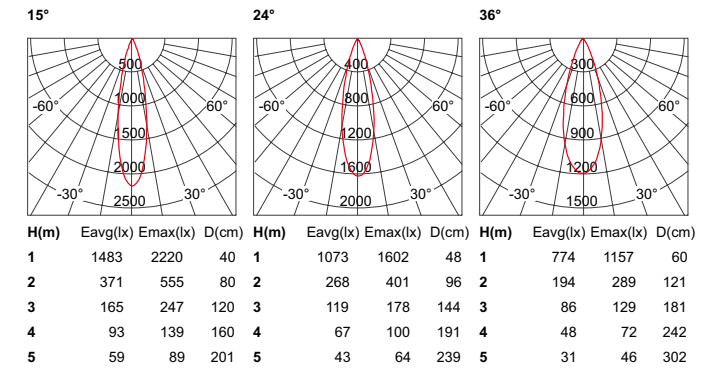
Chrome Gold Chrome Black

## PHOTOMETRIC

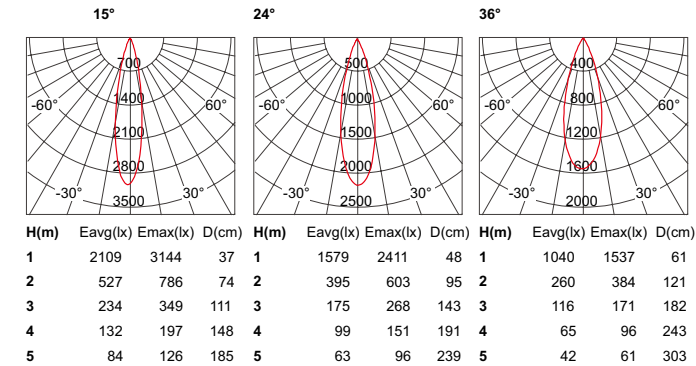
### EST-DDI065X 5W



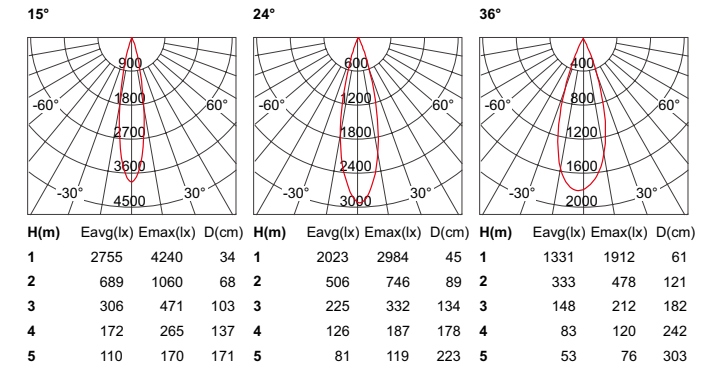
### EST-DDI075X 7W



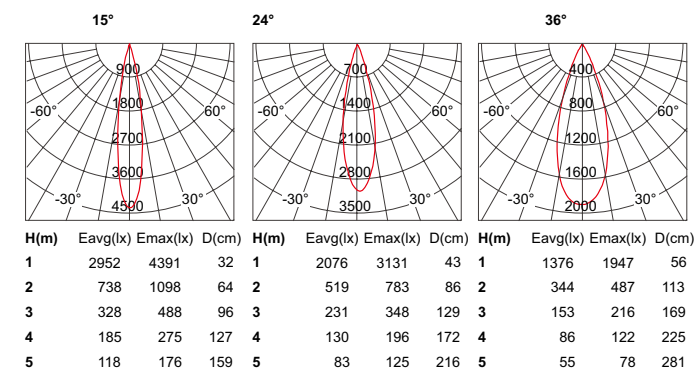
### EST-DDI085X 9W



### EST-DSI075X 7W



### EST-DSI075T 7W



### Colour Filter



Red Blue Yellow Green