



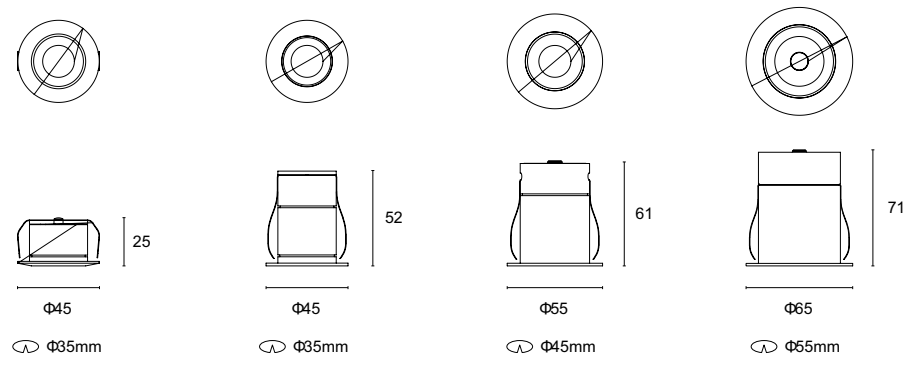
General Information

| | EST-DDD035A recessed | EST-DDD035X recessed | EST-DDD045X recessed | EST-DDD055X recessed |
|---------------------------|--------------------------------|--------------------------------|--------------------------------|--------------------------------|
| Optics | 10°/15° Fixed | 10°/15° Fixed | 10°/15°/24° Fixed | 15°/24°/36° Fixed |
| System Power (Watt) | 1W | 1W | 3W | 7W |
| System Luminous flux (lm) | 65lm | 60lm | 150lm | 350lm |
| Driver parameters | 3V/250mA | 3V/250mA | 3V/670mA | 24V/230mA |
| Cut out (mm) | Φ35 | Φ35 | Φ45 | Φ55 |

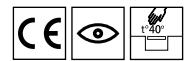
Technical Details

| | |
|--------------------|---------------------------|
| Light Source | LED SMD |
| Colour temperature | 2700K/3000K/4000K |
| CRI (Ra/R9) | RA>90/R9>50 |
| Colour Consistency | SDCM<5 |
| UGR | <13 |
| IP rated | IP20 |
| Lifetime | >50,000h |
| Warranty | 3 Years/5 Years |
| Driver | ON/OFF, Phase, 0 10V Dali |

Dimensions (mm)

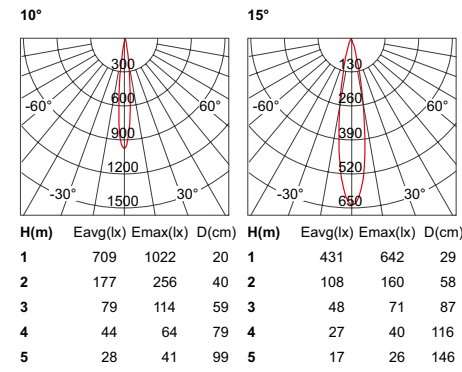


Finishes

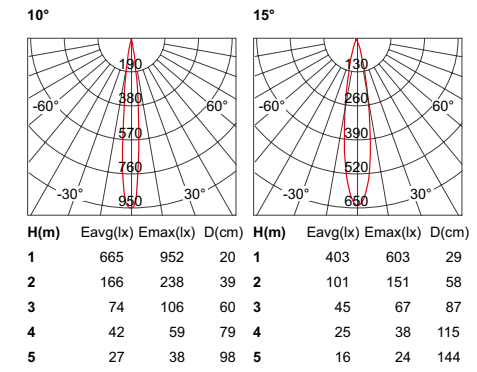


PHOTOMETRIC

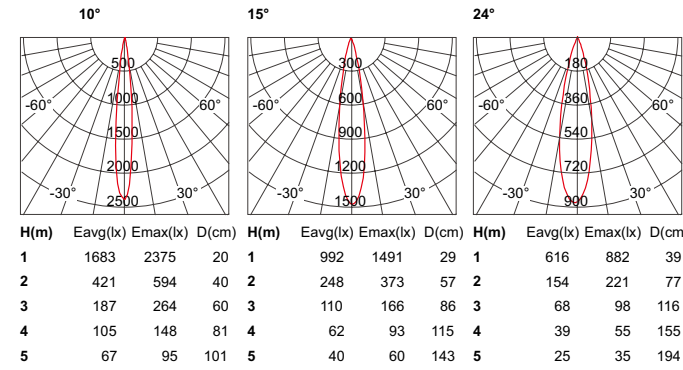
EST-DDD035A 1W



EST-DDD035X 1W



EST-DDD045X 3W



EST-DDD055X 7W

