

LED Recessed Downlight

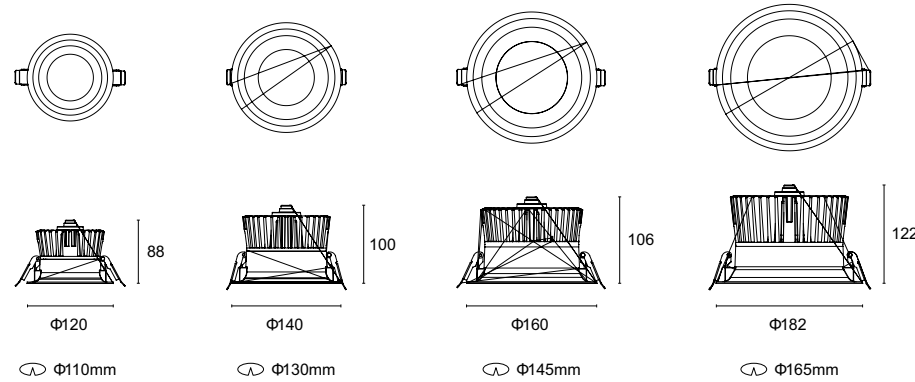


	EST-DDW110X recessed	EST-DDW130X recessed	EST-DDW145X recessed	EST-DDW165X recessed
General Information				
Optics	15°/24°/40° Fixed	15°/24°/40°/60° Fixed	15°/24°/40° Fixed	15°/24°/40°/60° Fixed
System Power (Watt)	12W	20W	30W	40W
System Luminous flux (lm)	900lm	1500lm	2600lm	3500lm
Driver parameters	36V/270mA	36V/480mA	36V/700mA	36V/900mA
Cut out (mm)	Φ110	Φ130	Φ145	Φ165

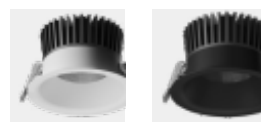
Technical Details

Light Source	LED COB
Colour temperature	2700K/3000K/4000K
CRI (Ra/R9)	RA>90/R9>50
Colour Consistency	SDCM<3
UGR	<19
IP rated	IP20/IP54
Lifetime	>50,000h
Warranty	3 Years/5 Years
Driver	ON/OFF, Phase, 0 10V Dali

Dimensions (mm)



Finishes

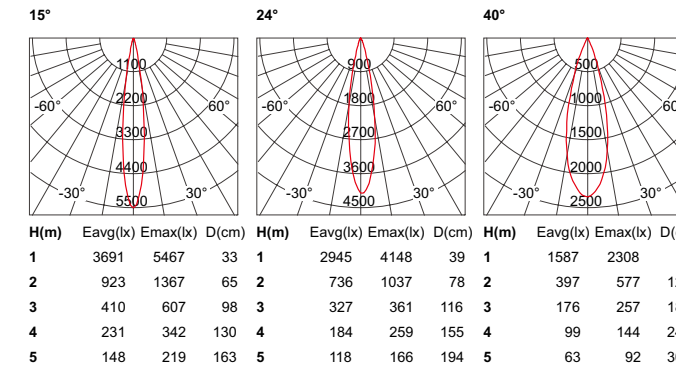


White

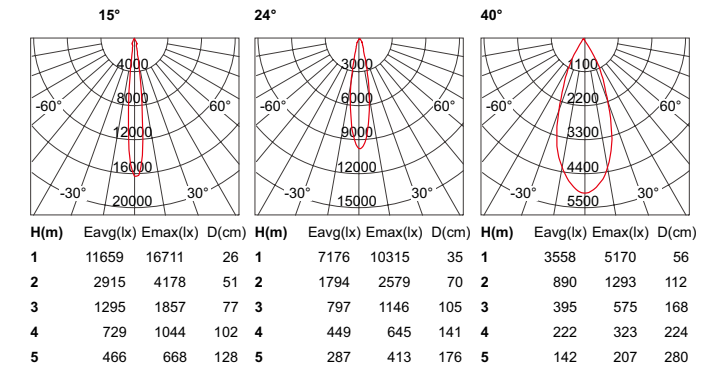
Black

PHOTOMETRIC

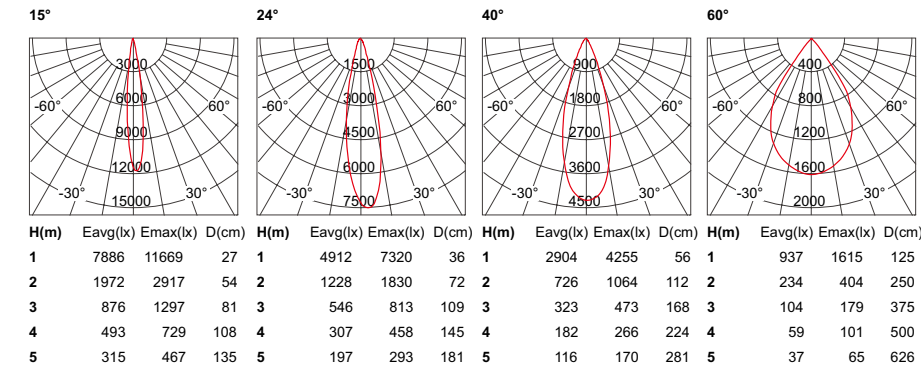
EST-DDW110X 12W



EST-DDW145X 30W



EST-DDW130X 20W



EST-DDW165X 40W

