

EST-DSB065X recessed **EST-DSB075X** recessed **EST-DSB095X** recessed **EST-DSB120X** recessed

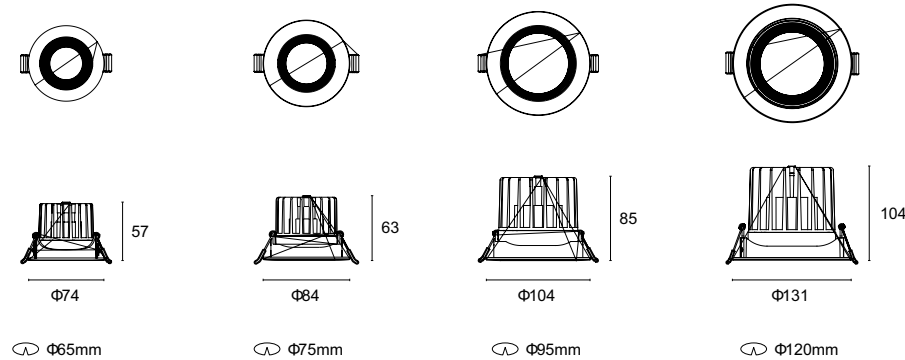
General Information

Optics	15°/24°/40° Adjustable	15°/24°/40° Adjustable	15°/24°/40° Adjustable	15°/24°/40° Adjustable
System Power (Watt)	7W	9W	16W	30W
System Luminous flux (lm)	345lm	525lm	1200lm	2400lm
Driver parameters	36V/160mA	36V/210mA	36V/390mA	36V/700mA
Cut out (mm)	Φ65	Φ75	Φ95	Φ120

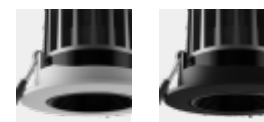
Technical Details

Light Source	LED COB
Colour temperature	2700K/3000K/4000K
CRI (Ra/R9)	RA>90/R9>50
Colour Consistency	SDCM<3
UGR	<16
IP rated	IP20
Lifetime	>50,000h
Warranty	3 Years/5 Years
Driver	ON/OFF, Phase, 0 10V Dali

Dimensions (mm)



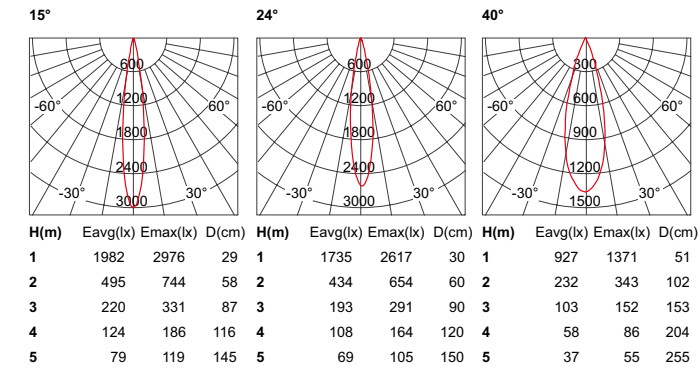
Finishes



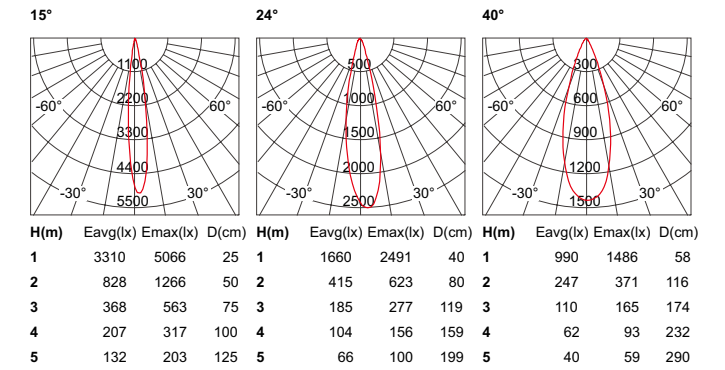
White Black

PHOTOMETRIC

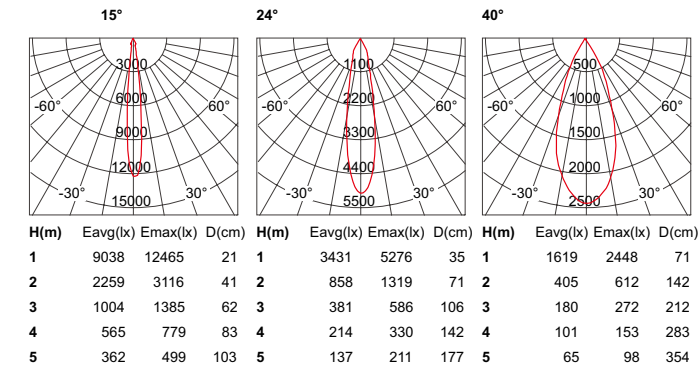
EST-DSB065X 7W



EST-DSB075X 9W



EST-DSB095X 16W



EST-DSB120X 30W

