



EST-DDY060S
recessed



EST-DDY065S
recessed



EST-DDY085X
recessed



EST-DDY085F
recessed

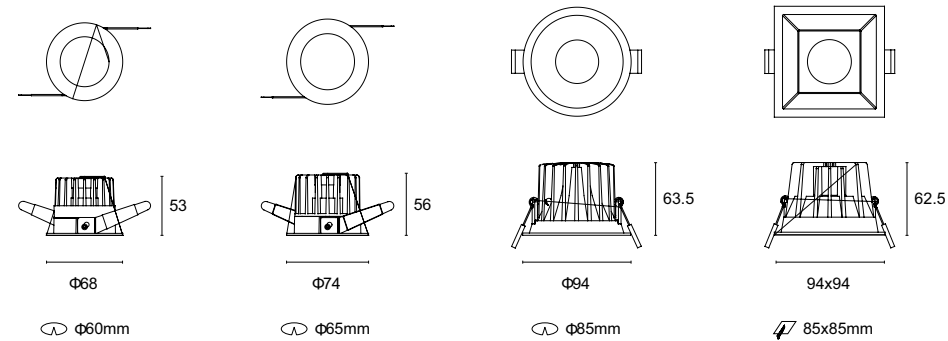
General Information

Optics	15°/24°/40° Fixed	15°/24°/40° Fixed	15°/24°/40° Fixed	15°/24°/40° Fixed
System Power (Watt)	7W	9W	12W	12W
System Luminous flux (lm)	450lm	600lm	820lm	820lm
Driver parameters	36V/160mA	36V/210mA	36V/270mA	36V/270mA
Cut out (mm)	Φ60	Φ65	Φ85	85x85

Technical Details

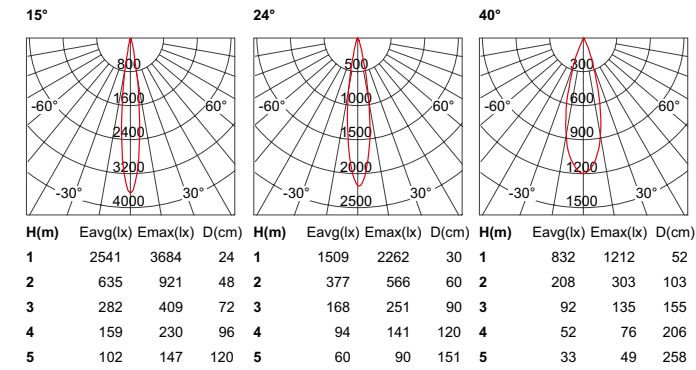
Light Source	LED COB
Colour temperature	2700K/3000K/4000K
CRI (Ra/R9)	RA>90/R9>50
Colour Consistency	SDCM<3
UGR	<16
IP rated	IP54
Lifetime	>50,000h
Warranty	3 Years/5 Years
Driver	ON/OFF, Phase, 0 10V Dali

Dimensions (mm)

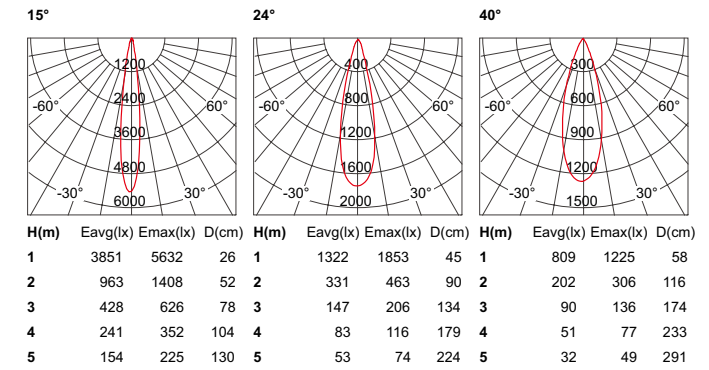


PHOTOMETRIC

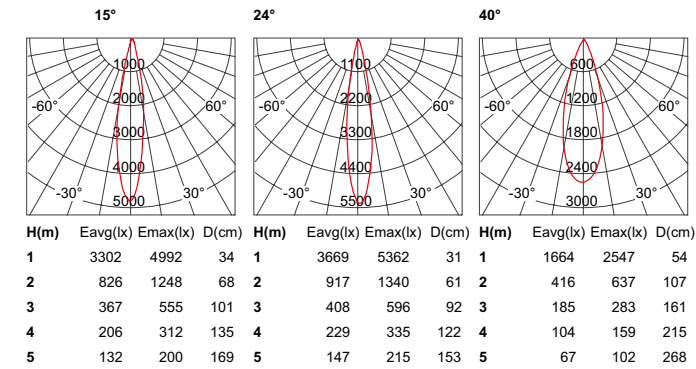
EST-DDY060S 7W



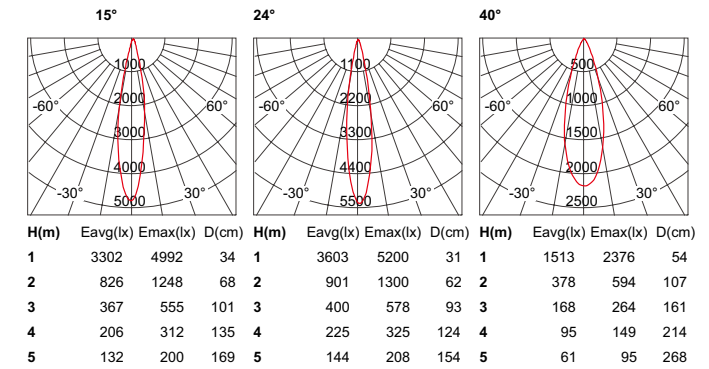
EST-DDY065S 9W



EST-DDY085X 12W



EST-DDY085F 12W



Accessories



Anti-glare snoot

Finishes



White

Black