

High Power RGB LED Garden Light

LED Wave Length

R =620-630 nm
G =520-530 nm
B =460-470 nm

Optics



B49
L0120D023K.P 20°
L0130D023K.P 30°

B49



20°

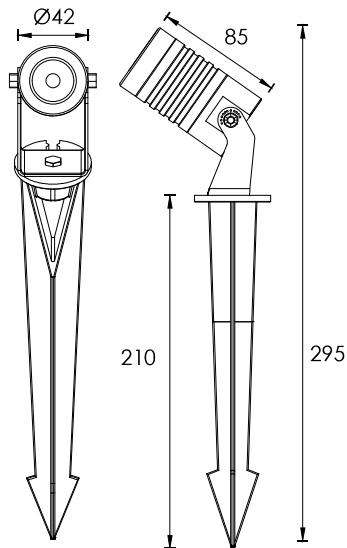


30°



Outer Dimensions

Unit:mm



B3AB0106

Material Specifications

Front cover & Housing	Aluminum anodized finishing or powder painting
lens	Optical lens,efficiency≥85%
Light Window	Tempered glass.T=3mm
Cable gland	Nickel coated copper
Gasket	Tooling shaped seal
LED	SMD 3535 RGB 3 IN 1 LED
PCB	Excellent heat conductivity aluminum,coefficient of heat Conductivity≥2.0w/mk
LED Driver	Constant Voltage Input,Constant Current Output
Operating temperature	-20°C~40°C
Power Cable	H05RN-F 4X0.75mm ² L=2.0m

Housing Color Option

Sanded Brown RAL 8019	Matt Black RAL 9005	Silver Resistant Paint RAL 9006	Aluminum anodized
			

Item	Light source	Lens	The manufacturer selected lens degree(°)θ1/2	Input voltage(V)	Typical operating current(mA)	Typical consumption(W)	Typical luminance(lm)	IK rate
B3AB0106	1×3W RGB 3in1 Full color	B49	30°	24V DC	R = 48 G = 62 B = 62	4.1	95	02

