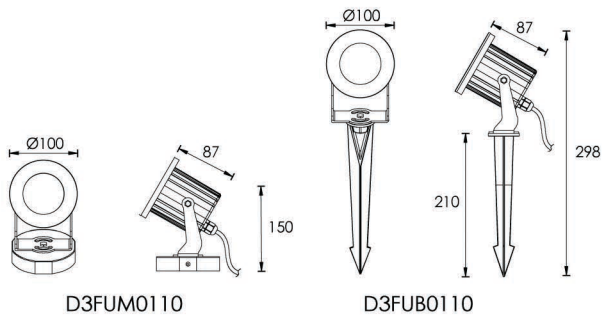




OUTER DIMENSIONS & ACCESSORIES

Unit:mm



D3FUM0110

D3FUB0110

MATERIAL SPECIFICATIONS

- HOUSING** | 12# Die-casting dark grey powder coated aluminum.
T=60-80µm. Adhesion of ISO class 1/ASTM class 4B
- LIGHT WINDOW** | Tempered glass, T=3mm
- CABLE GLAND** | IP-68 PG-9 PA66
- FRONT COVER** | Hard chrome-plated stainless steel SUS 316L#
- BRACKET** | Powder coated aluminum
- GASKET** | Tooling shaped seal
- POWER CABLE** | H05RN-F 3X1.0mm² L=2.0m (high voltage)
- MOUNTING BASE** | Powder coated die-casting aluminum

HOUSING COLOR OPTION

Basic



Sanded Dark Grey
KAP 7037

Secondary



Sanded Black
RAL9005

LIGHTING SOURCES OPTION



**GU-10 Pin
Halogen Lamp**

- 50W maximum power limit
- Input voltage is according to halogen lamp spec.



**GU-10 Pin
LED Lamp**

- Maximum power limit is according to GU10 pin spec.
- Input voltage is according to GU10 pin spec.