

High Luminance Output Inground Flood Light

LED COLOUR TEMPERATURE

3000K · 6000K

OPTICS



R29
R0108C110DK 8°
R0124C110DK 24°
R0138C110DK 38°

R29



8°



24°



38°

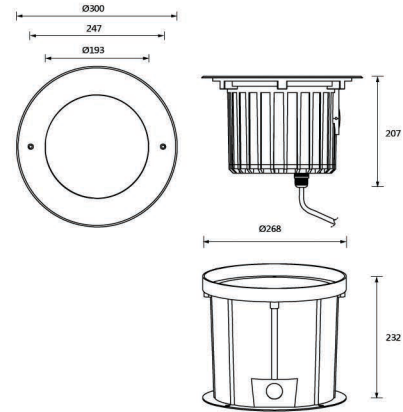


MATERIAL SPECIFICATIONS

Housing	12# Die-casting dark grey powder coated aluminum T=60-80µm Adhesion of ISO class 1/ATM class 4B
Front cover	Hard chrome-plated stainless steel SUS 316L*
Light Window	Tempered frosted step glass.T=10mm
Reflector	Optical Reflector efficiency≥90%
LED	NICHIA COB
Glass pressure capacity	Full Area=5016kgs
Cable gland	IP68 PG-13.5 PA66
Gasket	Molding shaped seal
LED Driver	Constant Voltage Input,Constant Current Output
Operating temperature	-20°C~40°C
Power Cable	H07RN-F 2X1.5mm ² L=0.5m(low voltage) H07RN-F 3X1.5mm ² L=0.5m(high voltage)
Mounting sleeve	ABS 106*

OUTER DIMENSIONS

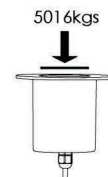
Unit:mm



OPTIONAL HONEYCOMB LOUVER



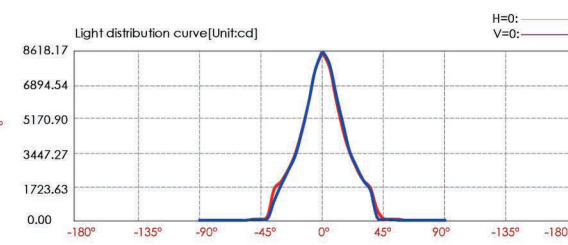
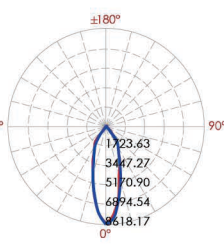
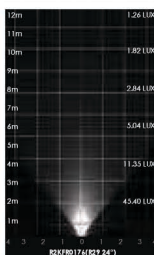
Glass pressure capacity



TECHNICAL DATA

Item	Light source	Reflector	The manufacturer selected lens degree(°)θ1/2	Input voltage(V)	Typical operating current(mA)	Typical consumption(W)	Typical luminance(lm)	IK rate
R2KFR0176	1×40W COB	R29	24°	120/240	120V = 372 240V = 187	120V = 45 240V = 44.5	Cool white =4425 Warm white =4097	10

PHOTOMETRIC CURVES



Distance (m)	Illuminance at a Distance	
	Center Beam LUX	Beam Width (m)
2m	2139.95 LUX	1.1m 1.2m
4m	534.99 LUX	2.3m 2.3m
6m	237.77 LUX	3.4m 3.5m
8m	133.75 LUX	4.5m 4.6m
10m	85.60 LUX	5.7m 5.8m
12m	59.44 LUX	6.8m 6.9m

Vert.Spread:31.7 Horiz.Spread:32.3