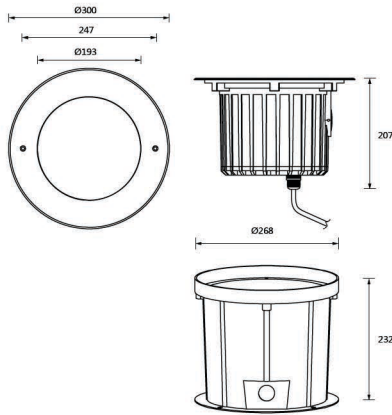


Depth Illuminant LED Inground Light



OUTER DIMENSIONS Unit:mm



OPTIONAL HONEYCOMB LOUVER

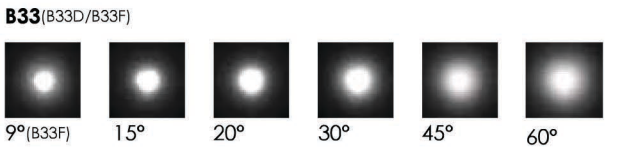


LED COLOUR TEMPERATURE

3000K · 6000K

OPTICS

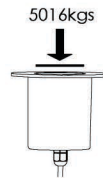
- B33(B33D/B33F)**
- L0109F023YH 9°
 - L0115D023YH 15°
 - L0120D023YH 20°
 - L0130D023YH 30°
 - L0145D023YH45°
 - L0160D023MD60°



MATERIAL SPECIFICATIONS

- Housing** | 12# Die-casting dark grey powder coated aluminum
T=60-80µm Adhesion of ISO class 1/ATM class 4B
- Front cover** | Hard chrome-plated stainless steel SUS 316L#
- Light Window** | Tempered frosted step glass.T=10mm
- Reflector** | Optical Reflector efficiency≥90%
- LED** | NICHIA 3535
- Glass pressure capacity** | Full Area=5016kgs
- Cable gland** | IP68 PG-13.5 PA66
- Gasket** | Molding shaped seal
- LED Driver** | Constant Voltage Input,Constant Current Output
- Operating temperature** | -20°C~40°C
- Power Cable** | H05RN-F 2X1.5 mm² L=0.5m(low voltage)
- Mounting sleeve** | ABS 106#

GLASS PRESSURE CAPACITY



TECHNICAL DATA

Item	Light source	Reflector	The manufacturer selected lens degree(°)θ1/2	Input voltage(V)	Typical operating current(mA)	Typical consumption(W)	Typical luminance(lm)	IK rate
GB2KFR1258	12×3.3W	B33D	20°	24	24V = 1802	24V = 43.3	Cool white=3148 Warm white=2571	06

PHOTOMETRIC CURVES

