

COB Depth Illuminant Mega LED Inground Light



LED COLOUR TEMPERATURE

3000K · 5000K

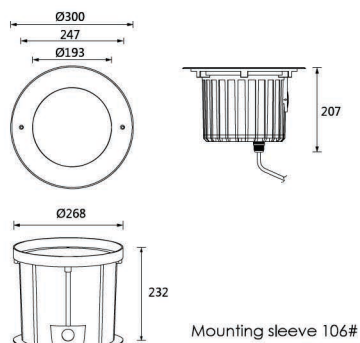
OPTICS LENS

B57
L0115D090HK 15°
L0125D090HK 25°
L0136D090HK 36°



OUTER DIMENSIONS

Unit:mm



Mounting sleeve 106#

MATERIAL SPECIFICATIONS

Housing	12# die-casting grey powder coated aluminum . T=60-80µm. Adhesion of ISO class 1/ASTM class 4B
Front cover	Hard chromeplated stainless steel SUS 316L#
Glass	Step tempered glass,T=10mm
Reflector	Optical Reflector efficiency=90%
LED	CREE COB
Glass pressure capacity	Full area = 5356 kgs
Cable gland	IP68 PG-13.5 PA66
Gasket	Molding shaped seal
LED Driver	Constant Voltage Input,Constant Current Output
Operating temperature	-20°C~40°C
Power cable	H07RN-F 3X1.5mm L= 0.5m
Mounting sleeve	ABS 106#

TECHNICAL DATA

Item	Light source	Reflector	The manufacturer selected lens degree(°)θ1/2	Input voltage(V)	Typical operating current(mA)	Typical consumption(W)	Typical luminance(lm)	IK
B2KFR0176	1×40W COB	B57	15°/25°/36°	120/240V	120V = 372 240V = 187	120V = 45.0 240V = 44.5	Cool white =3565 Warm white =3173	10

PHOTOMETRIC CURVES

