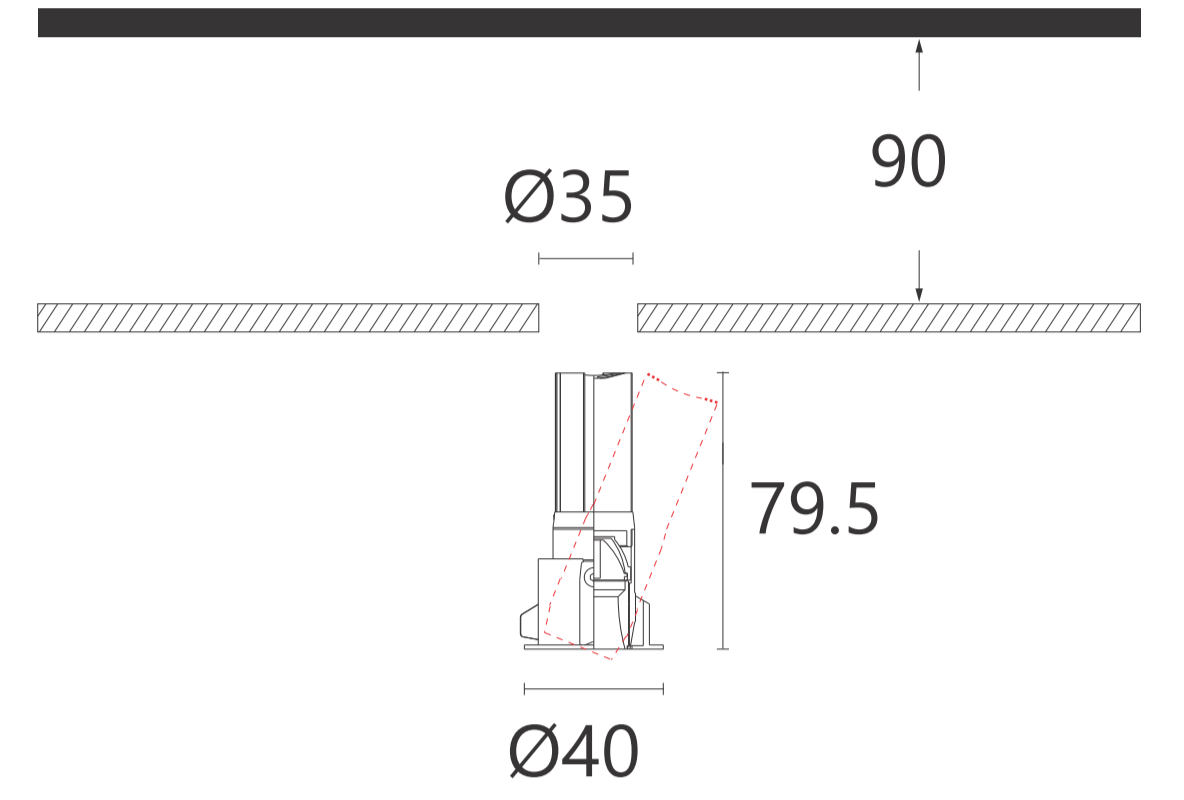


EST-FS1090 SERIES

Color selection

B **S** **W**



	Power	LED InPut	CCT	Lm	CRI	Operating Temp
FS1090A-05 Max.4W	4W	DC1000mA	2700K	200lm	CRI90	-30 °C +40 °C
	4W	DC1000mA	3000K	230lm	CRI90	-30 °C +40 °C
	4W	DC1000mA	4000K	280lm	CRI80	-30 °C +40 °C
	4W	DC1000mA	5000K	300lm	CRI80	-30 °C +40 °C

- Remote Driver: AC100-240V 50/60Hz
- Driver performance: Non-dimmable/dimmable
- Dimmer: DALI/0~10v/Triac

