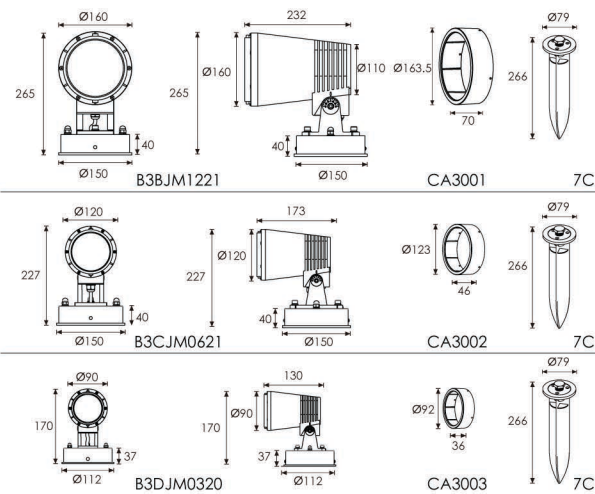


# Architectural & Landscape RGBW LED Spot Light

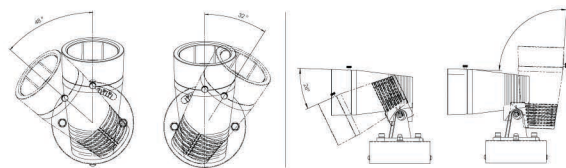


## OUTER DIMENSIONS & ACCESSORIES

Unit:mm



## ADJUSTABLE BEAM DIRECTION



## LED WAVE LENGTH

- R = 620-630 nm
- G = 520-530 nm
- B = 460-470 nm
- W = 6000K

## OPTICS



## MATERIAL SPECIFICATIONS

- HOUSING** | 12° Die-casting dark grey powder coated aluminum  
T=60-80µm, Adhesion of ISO class 1/ASTM class 4B
- LIGHT WINDOW** | Tempered glass, T=3mm
- LED** | SMD 5050 RGBW 4 IN 1 (3BJ/3DJ/3CJ)
- LED DRIVER** | Constant Voltage Input, Constant Current Output
- CABLE GLAND** | IP68 PG-9 PA66
- GASKET** | Tooling shaped seal
- POWER CABLE** | H05RR-F 5X0.75mm<sup>2</sup> L=0.3m (low voltage)

## HOUSING COLOR OPTION

Basic



Sanded Dark Grey  
KAP 7037

Secondary



Silver Grey  
KAP 9022



Sanded Black  
RAL 9005



Sanded white  
RAL 9003

## TECHNICAL DATA

ITEM	LIGHT SOURCE	LENS	LENS DEGREE(°)Ø1/2	INPUT VOLTAGE(V)	OPERATING CURRENT(MA)	CONSUMPTION(W)	LUMINANCE(LM)	IK
<b>B3BJM1221</b>	12x5W RGBW 4in1	B49	30°	24V DC	2912	70	2054	06
<b>B3CJM0621</b>	6x5W RGBW 4in1	B49	30°	24V DC	1504	36.1	1242	06
<b>B3DJM0320</b>	3x4W RGBW 4in1	B49	30°	24V DC	566	13.6	575	06

## PHOTOMETRIC CURVES

