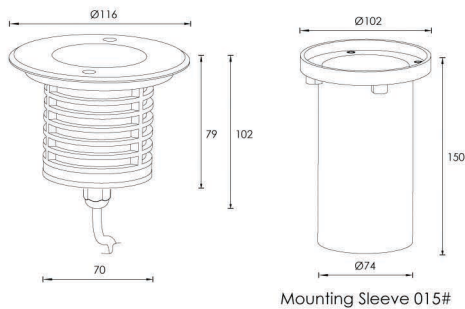


RED GREEN BLUE WHITE 4 Color Mixing LED Inground Light



OUTER DIMENSIONS & ACCESSORIES Unit:mm



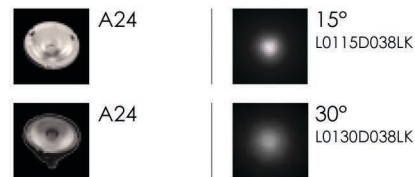
Mounting Sleeve 015#



LED WAVE LENGTH

R = 620-630 nm
G = 520-530 nm
B = 460-470 nm
W = 6000K
About lens for suitable for **RGBW Module** type LED only

OPTICS



MATERIAL SPECIFICATIONS

- HOUSING** | 12° Die-casting dark grey powder coated aluminum
| T=60-80µm. Adhesion of ISO class 1/ASTM class 4B
- FRONT RING** | Hard chrome plated stainless steel.SUS 316L[®]
- LIGHT WINDOW** | Step tempered glass.T=8mm
- GLASS PRESSURE CAPACITY** | Full area=2578kgs
- LED** | Prolight RGBW 4 IN1 LED
- LENS** | Asymmetrical optical lens,efficiency≥85%
- GASKET** | Molding shaped silicone seal
- LED DRIVER** | Constant Voltage Input,Constant Current Output
- OPERATING TEMPERATURE** | -20°C~40°C
- CABLE GLAND** | IP68 PG-9 PA66
- POWER CABLE** | H05RN-F 5X0.5mm² L=0.5m
- MOUNTING SLEEVE** | ABS 015[®]

TECHNICAL DATA

ITEM	LIGHT SOURCE	LENS	LENS DEGREE(°)Ø1/2	INPUT VOLTAGE(V)	OPERATING CURRENT(MA)	CONSUMPTION(W)	LUMINANCE(LM)	IK
A2CD0122	1×6W RGBW 4in1	A24	30°	24V DC	338	8.1	257	07

PHOTOMETRIC CURVES

