

## Recessed RGB LED Soft Beam Wall Light

### LED Wave Length

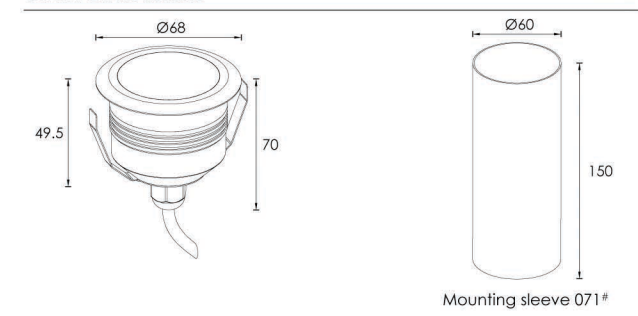
R = 620-630 nm  
G = 520-530 nm  
B = 460-470 nm

### Optics

N/A



### Outer Dimensions



### Material Specifications

Housing	12# Die-casting grey powder coated aluminum. T=60-80µm Adhesion of ISO class 1/ASTM class 4B
Light Window	50% transmittance PC cover
Waterproof seal	Rubber seal
Operating temperature	-20°C~40°C
Power Cable	H05RN-F 4X0.75mm² L=0.5m
Mounting sleeve	ABS 071#



Item	Light source	Input voltage(V)	Typical operating current(mA)	Typical consumption(W)	Typical luminance(lm)	IK rate
D1B00118	1×3W RGB 3in1 Full color	24V DC	R = 38 G = 53 B = 54	3.5	8	09

