

RGB LED Underwater Spot Light

LED Wave Length

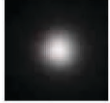
R =620-630 nm
G =520-530 nm
B =460-470 nm

Optics



B49
L0120D023KP 20°
L0130D023KP 30°

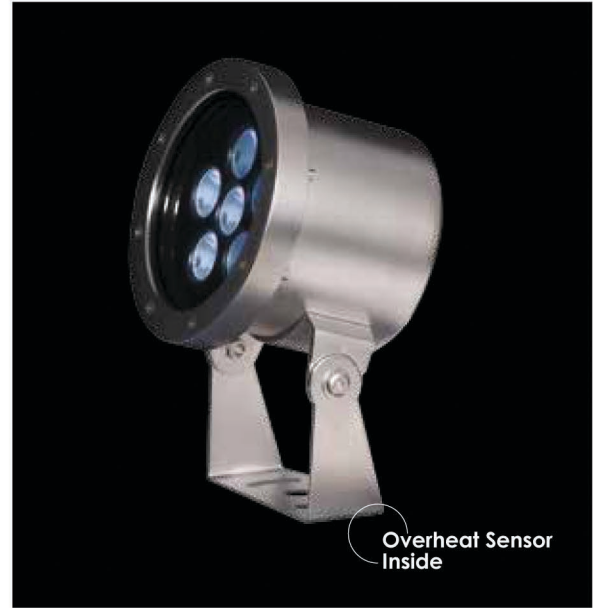
B49



20°

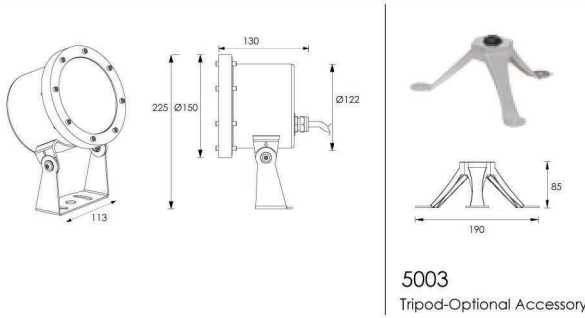


30°



Outer Dimensions

Unit:mm



Material Specifications

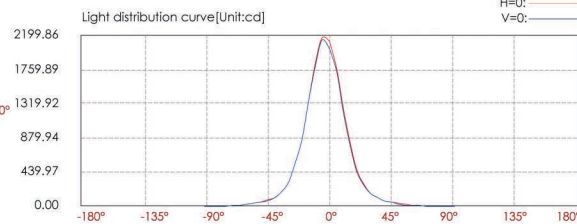
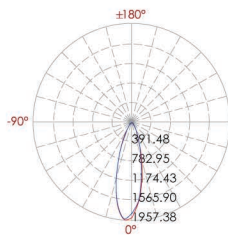
Front cover&Housing	Hard chromeplated Molding shaped stainless steel SUS 316L#
Light Window	PMMA 8mm
Gasket	EPDM gasket
LED	SMD5050 RGB 3 in 1
Cable gland	IP68 PG-11 copper with nickel-coated
PCB	Excellent heat conductivity aluminum, coefficient of heat conductivity≥2.0w/mk
LED Driver	Constant Voltage Input,Constant Current Output
Power Cable	H07RN-F 4X1.0mm2 L=3.0m
Built-in Overheat Sensor System	Automatic Shutdown at 75°C
Application environment	Temperature of water between -20°C~40°C less than 1 meter depth.

Warning:

Must be installed under the water to prevent the light from being burnt off because of over-heating.



Item	Light source	Lens	The manufacturer selected lens degree(°)θ1/2	Input voltage(V)	Typical operating current(mA)	Typical consumption(W)	Typical luminance(lm)	IK rate
B5ZA0604	6X5W RGB 3IN1		B49 30°	24V DC	1600	38.4	835	10



Distance	Illuminance at a distance		Beam width	
	Center beam LUX	Beam width V	H	H
2m	508.05 LUX	1.1m	1.1m	
4m	127.01 LUX	2.1m	2.1m	
6m	56.45 LUX	3.2m	3.2m	
8m	31.75 LUX	4.3m	4.2m	
10m	20.32 LUX	5.3m	5.3m	
12m	14.11 LUX	6.4m	6.3m	

Ver.Spread:29.9 Horiz.Spread:29.5