



RGB LED Underwater Spot Light

LED Wave Length

R =620-630 nm
G =520-530 nm
B =460-470 nm

Optics



B49
L0120D023KP 20°
L0130D023KP 30°

B49



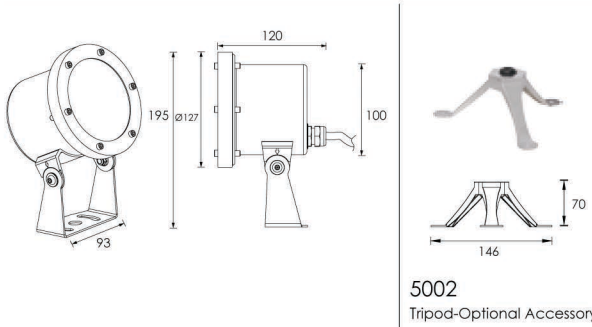
20°



30°

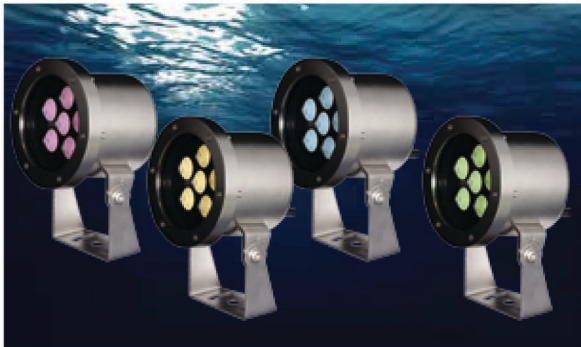
Outer Dimensions

Unit:mm



Material Specifications

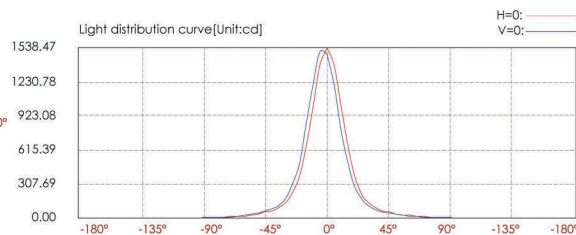
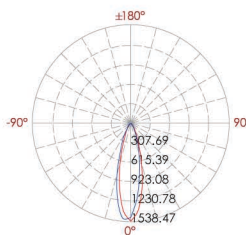
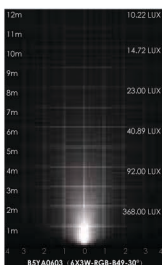
Front cover&Housing	Hard chromeplated Molding shaped stainless steel SUS 316L [®]
Light Window	PMMA 8mm
Gasket	EPDM gasket
LED	SMD 3535 RGB 3 IN 1
Cable gland	IP68 PG-11 copper with nickel-coated
PCB	Excellent heat conductivity aluminum, coefficient of heat conductivity≥2.0w/mk
LED Driver	Constant Voltage Input,Constant Current Output
Power Cable	H07RN-F 4X1.0mm2 L=3.0m
Built-in Overheat Sensor System	Automatic Shutdown at 75°C
Application environment	Temperature of water between -20°C~40°C less than 1 meter depth.



Warning:

Must be installed under the water to prevent the light from being burnt off because of over-heating.

Item	Light source	Lens	The manufacturer selected lens degree(°)θ1/2	Input voltage(V)	Typical operating current(mA)	Typical consumption(W)	Typical luminance(lm)	IK rate
B5YA0603	6×3W RGB 3IN1	B49	30°	24V DC	1000	24	528	10



Lux distance cure

	Center beam LUX	Beam width V	Beam width H
2m	368.00 LUX	0.9m	0.9m
4m	92.00 LUX	1.9m	1.9m
6m	40.89 LUX	2.8m	2.8m
8m	23.00 LUX	3.8m	3.7m
10m	14.72 LUX	4.7m	4.7m
12m	10.22 LUX	5.7m	5.6m

Ver.Spread:26.5 Horiz.Spread:26.4