

RGB LED Underwater Spot Light



Overheat Sensor Inside



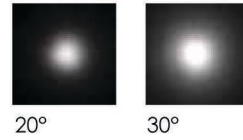
LED Wave Length

R =620-630 nm
G =520-530 nm
B =460-470 nm

Optics

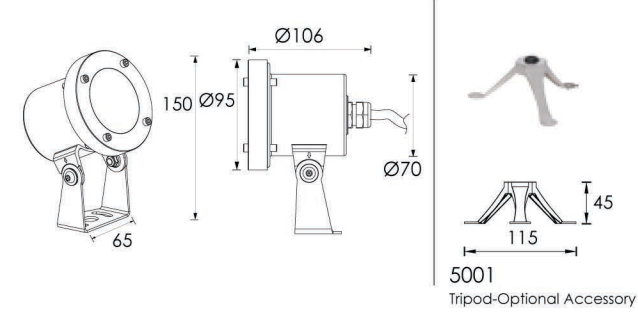
B49	
L0120D023KP	20°
L0130D023KP	30°

B49



Outer Dimensions

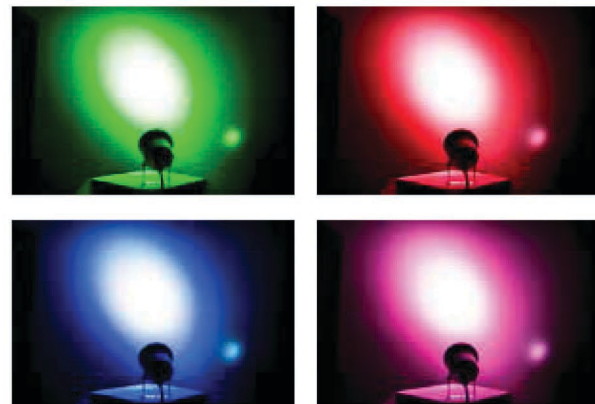
Unit:mm



Material Specifications

Front cover&Housing	Hard chromeplated Molding shaped stainless steel SUS 316L*
Light Window	PMMA 8mm
Gasket	EPDM gasket
LED	SMD 3535 RGB 3 IN 1
Cable gland	IP68 PG-11 copper with nickel-coated
PCB	Excellent heat conductivity aluminum, coefficient of heat conductivity2.0w/mk
LED Driver	Constant Voltage Input,Constant Current Output
Power Cable	H07RN-F 4X1.0mm2 L=3.0m
Built-in Overheat Sensor System	Automatic Shutdown at 75°C
Application environment	Temperature of water between -20°C~40°C less than 1 meter depth.

Warning:
Must be installed under the water to prevent the light from being burnt off because of over-heating.



Item	Light source	Lens	The manufacturer selected lens degree(°)θ1/2	Input voltage(V)	Typical operating current(mA)	Typical consumption(W)	Typical luminance(lm)	IK rate
B5XA0303	3x3W RGB 3IN1	B49	30°	24V DC	400	9.6	239	10

