

Architectural and Landscape RGB LED Spot Light



B3BJM1203



B3CJM0603



B3DJM0304



B3EJM0104

LED Wave Length

R =620-630 nm
G =520-530 nm
B =460-470 nm

Optics

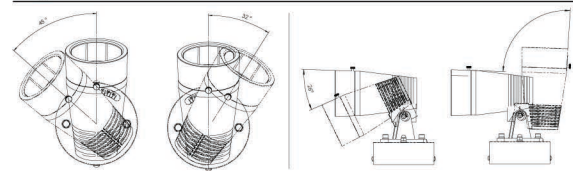
	B49 L0120D023KP 20° L0130D023KP 30°
	A24 L0115D038LK 15° L0130D038LK 30°

Material Specifications

Housing	12# Die-casting dark grey powder coated aluminum. T=60-80µm. Adhesion of ISO class 1/ASTM class 4B
Light Window	Tempered glass. T=3mm
LED	SMD 5050 RGB 3 IN 1 (3BJ/3DJ/3EJ) SMD 3535 RGB 3 IN 1 (3CJ)
LED Driver	Constant Voltage Input, Constant Current Output
Cable gland	IP68 PG-9 PA66
Gasket	Tooling shaped seal
Power Cable	H05RN-F 4X0.75mm² L=0.3m (low voltage)

Item	Light source	Lens	The manufacturer selected lens degree(°)θ1/2	Input voltage(V)	Typical operating current(mA)	Typical consumption(W)	Typical luminance(lm)	IK rate
B3BJM1203	12X3W RGB 3IN1 12R/12G/12B	B49	30°	24V DC	2000	48.5	1203	06
B3CJM0603	6X3W RGB 3IN1 6R/6G/6B	B49	30°	24V DC	958	23	512	06
B3DJM0304	3X4.5W RGB 3IN1 3R/3G/3B	B49	30°	24V DC	640	15.1	478	06
B3EJM0104	1X4.5W RGB 3IN1 1R/1G/1B	A24	30°	24V DC	285	6.9	159	05

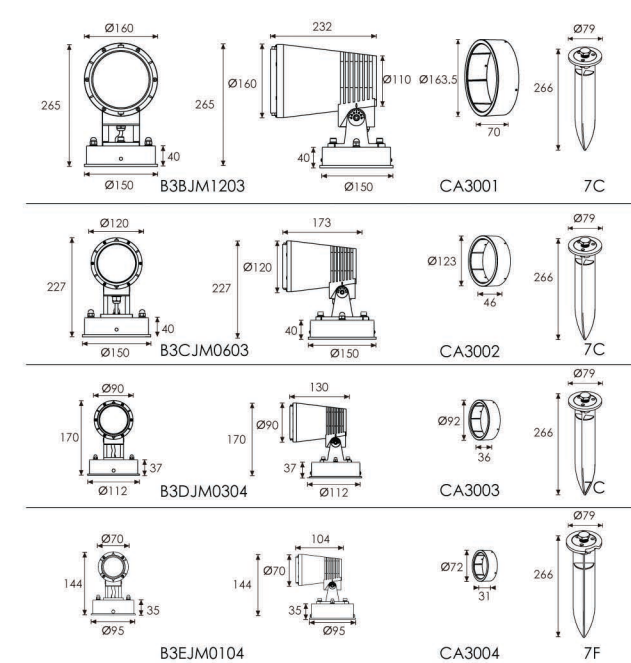
Adjustable beam direction



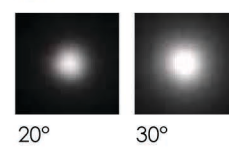
Housing Color Option



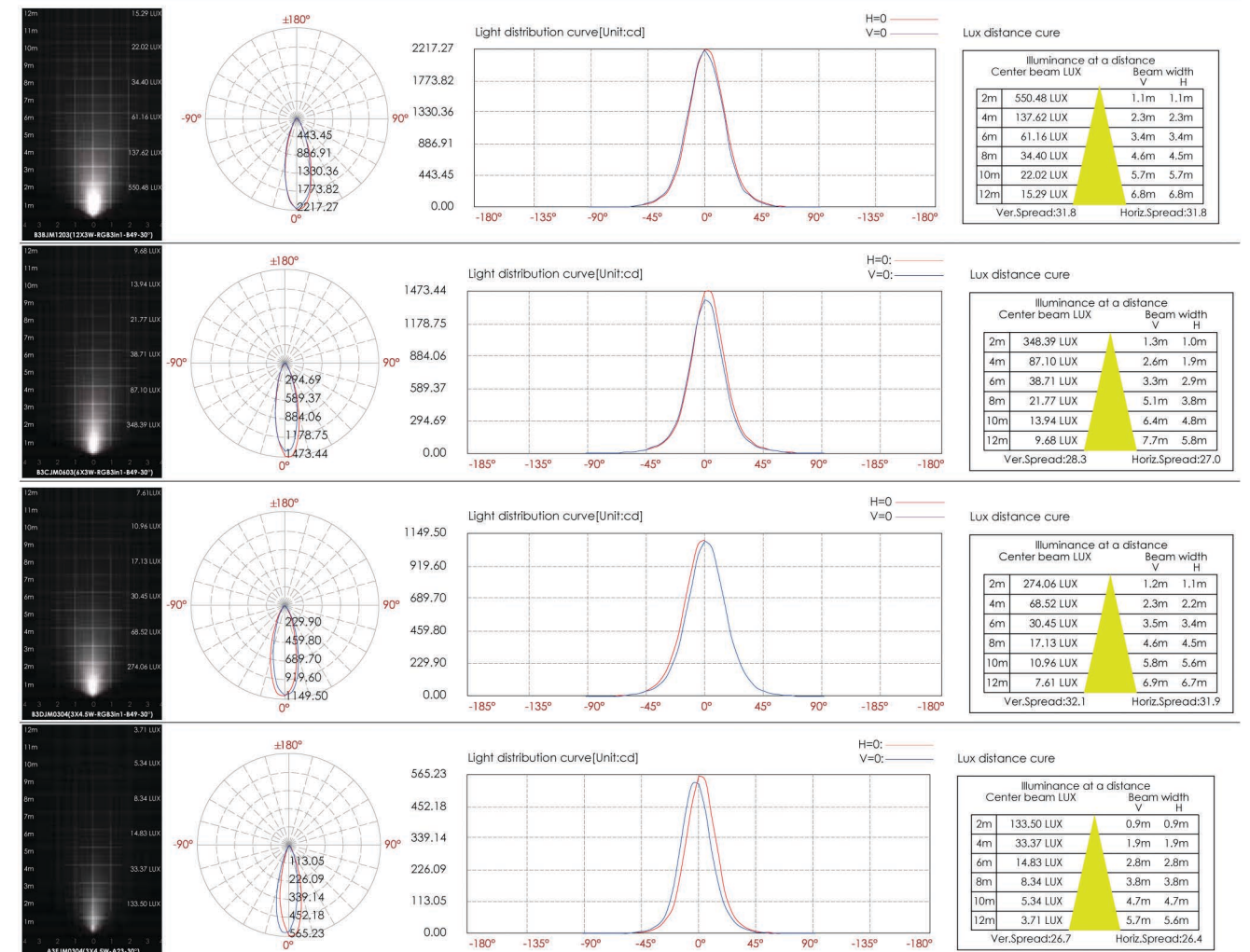
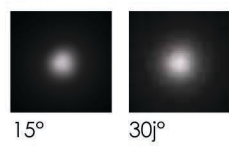
Outer Dimensions



B49



A23

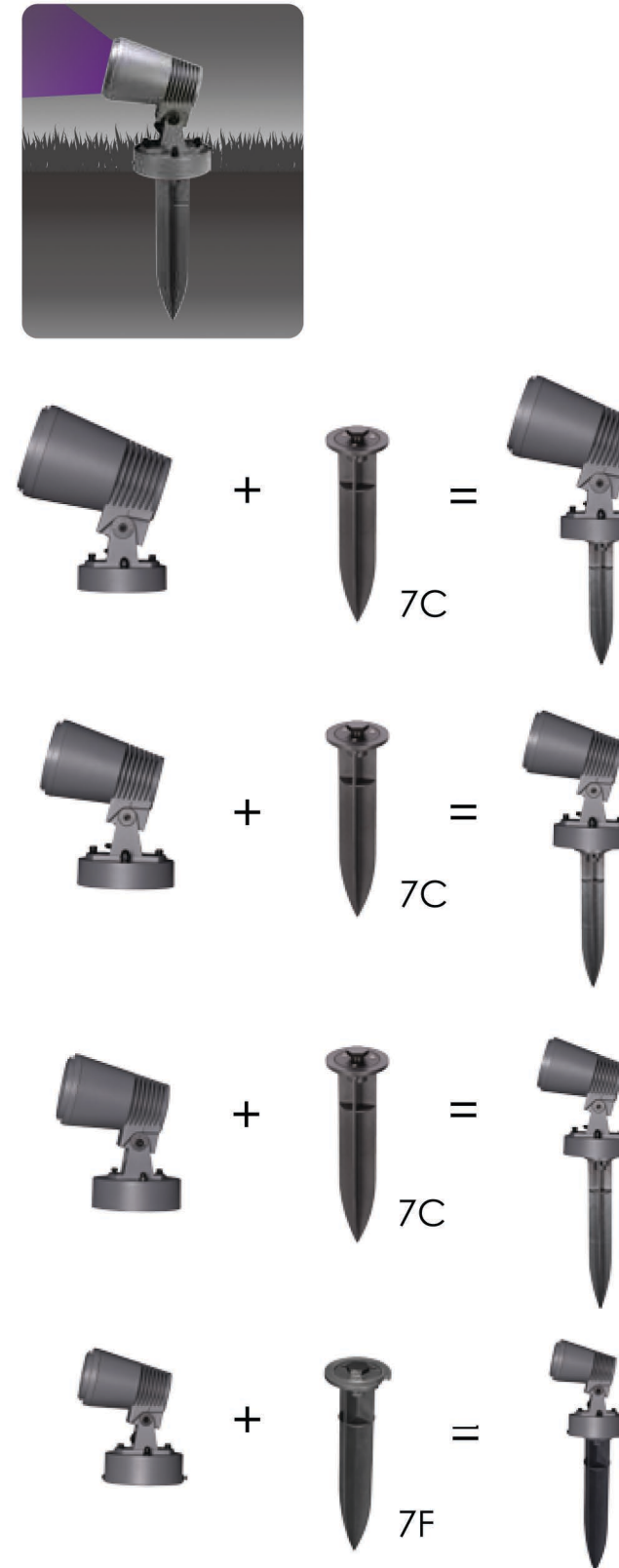


Bellow accessories can combine the series of Single Chip/RGB/COB

Features



Accessories Option--Spike



Accessories Option--Hood

