
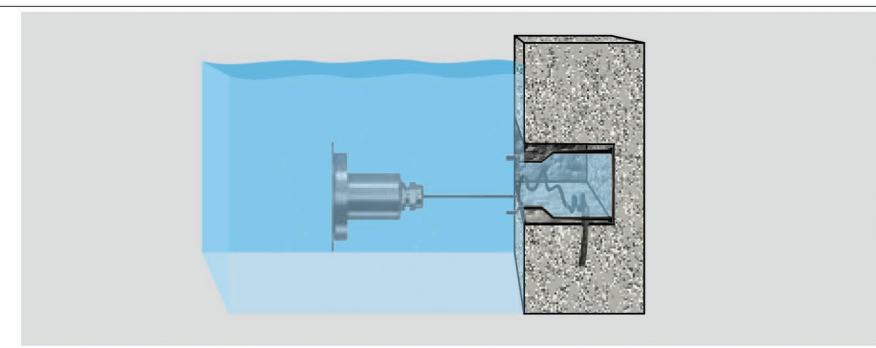


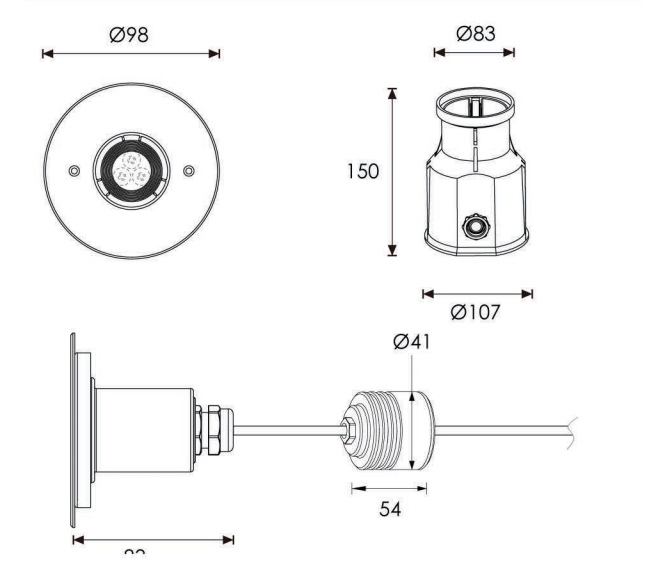


LED Wave Length	Optics
R =620-630 nm	 <p>A23 L0115F038KT 15° L0122F038KT 22°</p>
G =520-530 nm	
B =460-470 nm	




Water must be allowed to go inside and outside sleeve freely without leaking to the other side.  
**Warning:**  
Must be installed under the water to prevent the light from being burnt off because of over-heating.

Outer Dimensions



Material Specifications

Front cover&Housing	Hard chromeplated molding shaped SUS 316L# stainless steel housing
Gasket	EPDM gasket
Light Window	Step tempered glass, T=8mm
LED	SMD5050 3 IN 1 LED
Lens	All-in-one optical lens, efficiency≥85%
Cable gland	IP68 PG-11 copper with nickel-coated
PCB	Excellent heat conductivity aluminum, coefficient of heat conductivity≥2.0w/mk
LED Driver	Constant Voltage Input, Constant Current Output
Application environment	Temperature of water between -20°C~40°C less than 1 meter depth.
Power cable	H07RN-F 2X1.0mm L=3m

Item	Light source	Lens	The manufacturer selected lens degree(°)θ1/2	Input voltage(V)	Typical operating current(mA)	Typical consumption(W)	Typical luminance(lm)	IK rate
<b>A4AA0304</b>	1x4.5W SMD5050 3 IN 1 LED FULL COLOR		30°	24V DC	234	5.6	129	07

