

Wall Mounting Landscape Light

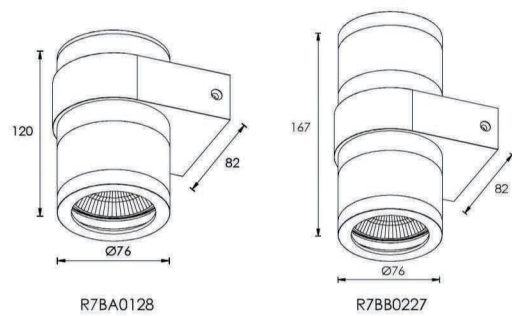


LED COLOUR TEMPERATURE

3000K · 6000K

OUTER DIMENSIONS & ACCESSORIES

Unit:mm



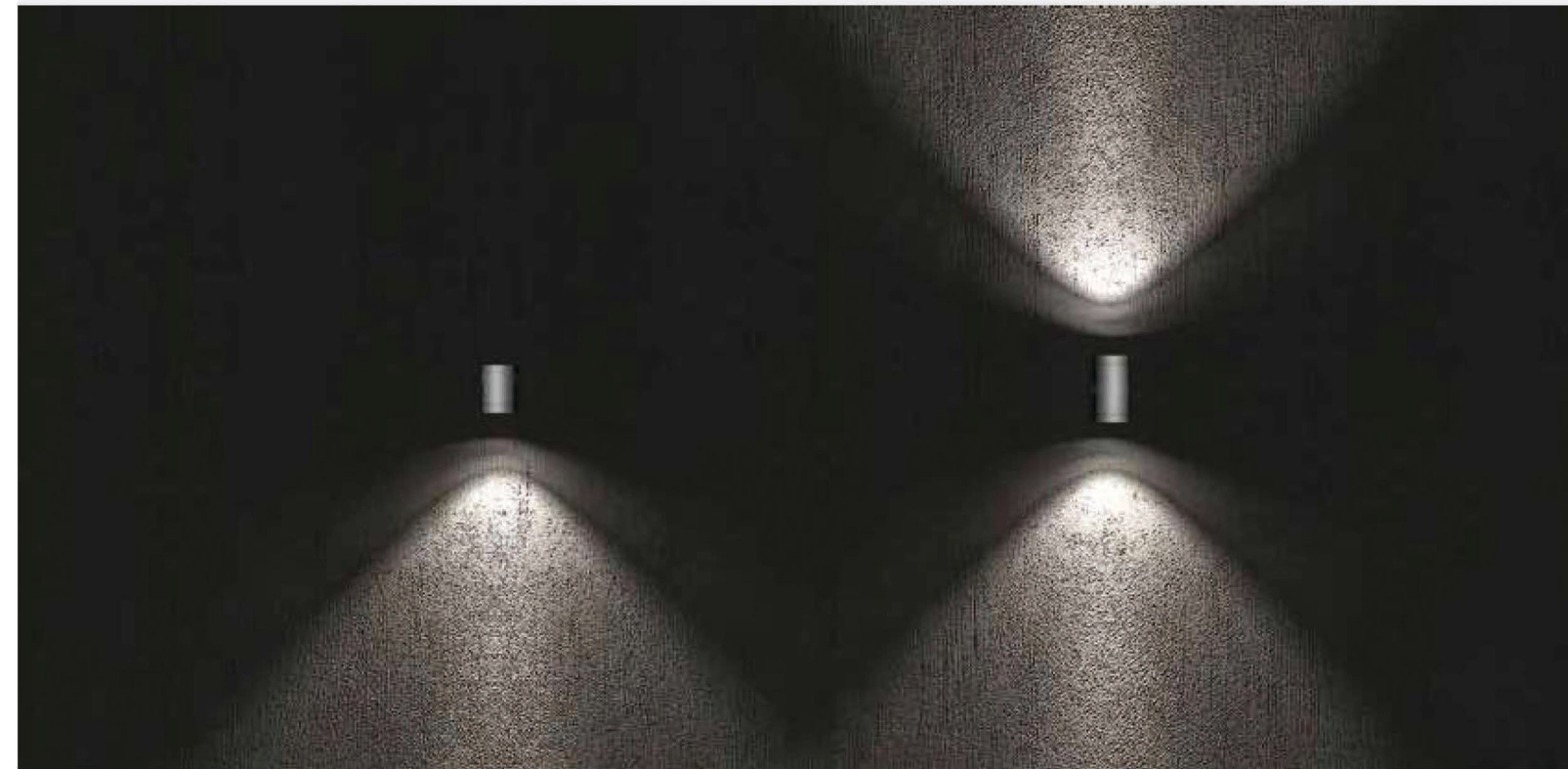
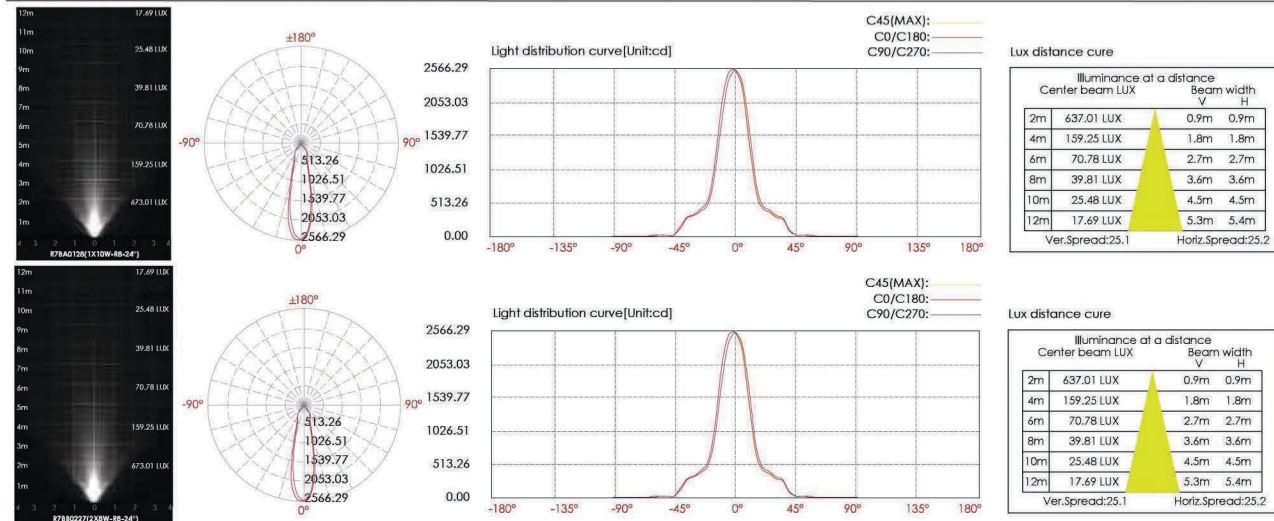
MATERIAL SPECIFICATIONS

- HOUSING** | 12# Die-casting dark grey powder coated aluminum
| T=60-80µm, Adhesion of ISO class 1/ASTM class 4B
- REFLECTOR** | Optical Reflector, efficiency≥85%
- LIGHT WINDOW** | PMMA T=6mm
- LED DRIVER** | Constant Voltage Input, Constant Current Output
- LED** | NICHIA
- POWER CABLE** | H05RN-F 2X1.0mm² L=0.3m (low voltage)
| H05RN-F 3X1.0mm² L=0.3m (High voltage)
- OPERATING TEMPERATURE** | -20°C~40°C

TECHNICAL DATA

ITEM	LIGHT SOURCE	REFLECTOR	LENS DEGREE(°)Ø1/2	INPUT VOLTAGE(V)	OPERATING CURRENT(MA)	CONSUMPTION(W)	LUMINANCE(LM)
R7BA0128	1×10W COB	R8	24°	24V DC 120/240	24V = 480 120V = 107 240V = 60	24V = 11.5 120V = 12.6 240V = 12.6	Cool White = 1018 Warm White = 956
R7BB0227	2×8W COB	R8	24°	24V DC 120/240	24V = 822 120V = 182 240V = 103	24V = 19.7 120V = 21 240V = 21	Cool White = 1018x2 Warm White = 956x2

PHOTOMETRIC CURVES



OPTICS



HOUSING COLOR OPTION

