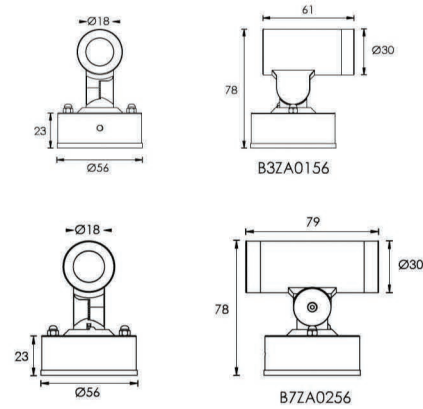


Small Type Wall Mounting Landscape Light



OUTER DIMENSIONS & ACCESSORIES

Unit:mm



LED COLOUR TEMPERATURE

2000K · 3000K · 6000K

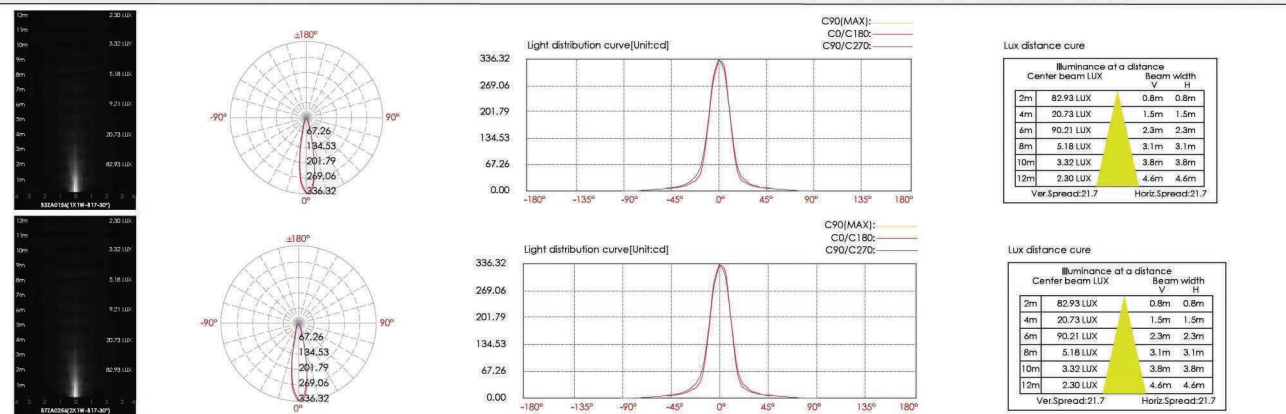
MATERIAL SPECIFICATIONS

- HOUSING** | 12# Die-casting dark grey powder coated aluminum
T=60-80µm, Adhesion of ISO class 1/ASTM class 4B
- LENS** | Optical lens, efficiency≥85%
- PC COVER** | UV-Resistance PC, T=3.5mm
- LED DRIVER** | Constant Voltage Input, Constant Current Output
- PCB** | Excellent heat conductivity aluminum, coefficient of heat conductivity≥2.0w/mk
- LED** | OSRAM
- OPERATING TEMPERATURE** | -20°C~40°C
- POWER CABLE** | IAWM 1A 105°C 600V 18AWG FTI L=300mm
- MOUNTING BASE** | Powder coated die-casting aluminum
- DIMMABLE SUPPORT** | Triac PWM 1-10V Dalí

TECHNICAL DATA

ITEM	LIGHT SOURCE	LENS	LENS DEGREE(°)Ø1/2	INPUT VOLTAGE(V)	OPERATING CURRENT(MA)	CONSUMPTION(W)	LUMINANCE(LM)	IK
B3ZA0156	1×1W	B17	30°	24V DC	48	1.2	Cool White = 100 Warm White = 83	02
B7ZA0256	2×1W	B17	30°	24V DC	91	2.2	Cool White = 100×2 Warm White = 83×2	02

PHOTOMETRIC CURVES



OPTICS



HOUSING COLOR OPTION

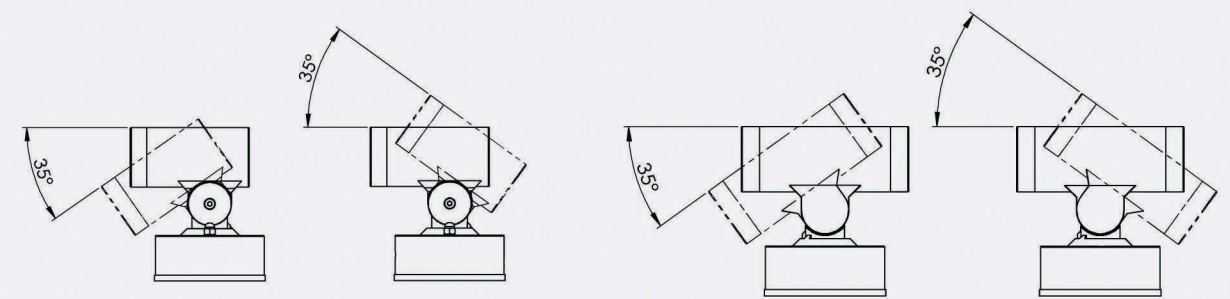


Sanded Brown
RAL 8019

Sanded Black
RAL 9005

Sanded White
RAL 9003

ADJUSTABLE BEAM DIRECTION



B3ZA0156

B7ZA0256