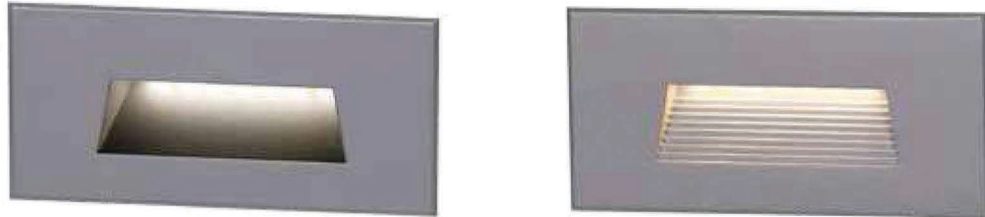


# Recessed LED Stair Light & Wall Light



### LED COLOUR TEMPERATURE

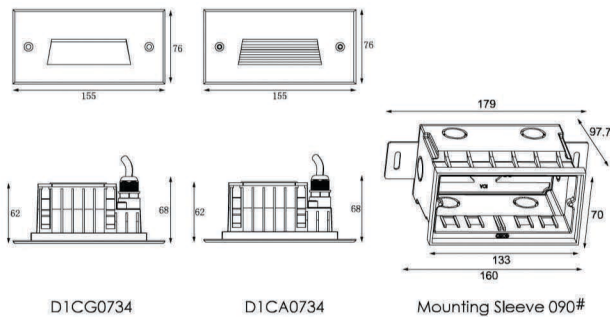
2000K · 3000K · 6000K

### OPTICS

N/A

### OUTER DIMENSIONS & ACCESSORIES

Unit:mm



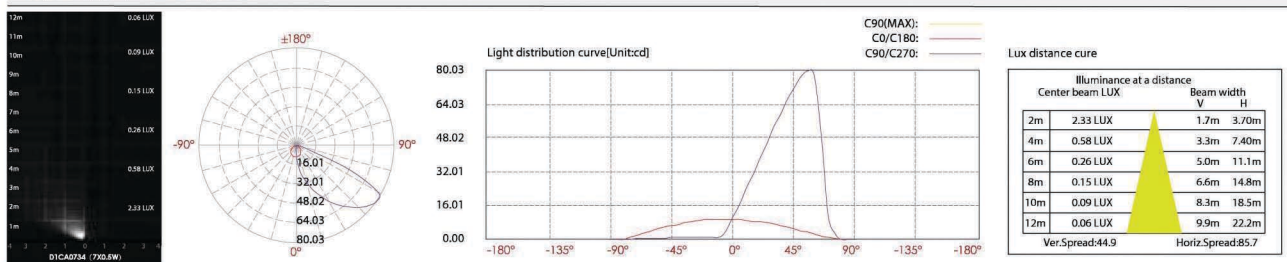
### MATERIAL SPECIFICATIONS

<b>HOUSING</b>	12# Die-casting grey powder coated aluminum T=60-80um Adhesion of ISO class 1/ASTM class 4B
<b>FRONT COVER</b>	12# Die-casting aluminum RAL7037 powder coated T=60-80um Adhesion of ISO class 1/ASTM class 4B
<b>LED</b>	SMD3030 type LED
<b>CABLE GLAND</b>	IP67 PG-9 PA66
<b>GASKET</b>	Molding shaped silicone seal
<b>LED DRIVER</b>	Constant Voltage Input, Constant Current Output
<b>OPERATING TEMPERATURE</b>	-20°C~40°C
<b>POWER CABLE</b>	H05RN-F 2X1.0mm <sup>2</sup> L=0.5m (low voltage) H05RN-F 3X1.0mm <sup>2</sup> L=0.5m (high voltage)
<b>MOUNTING SLEEVE</b>	ABS 090#
<b>DIMMABLE SUPPORT</b>	Triac PWM 1-10V Dali

### TECHNICAL DATA

ITEM	LIGHT SOURCE	INPUT VOLTAGE(V)	OPERATING CURRENT(MA)	CONSUMPTION(W)	LUMINANCE(LM)	IK
D1CA0734	7×0.5W	24V DC	24V = 150	24V = 3.5	Cool White = 85	10
		120/240	120V = 72	120V = 4.8	Warm White = 82	
		240V = 40	240V = 4.8			
D1CG0734	7×0.5W	24V DC	24V = 150	24V = 3.5	Cool White = 104.5	10
		120/240	120V = 72	120V = 4.8	Warm White = 97.9	
		240V = 40	240V = 4.8			

### PHOTOMETRIC CURVES



### FRONT COVER COLOR

#### Basic



Sanded Dark Grey  
KAP 7037

#### Secondary



Silver Grey  
KAP 9022



Sanded Black  
RAL9005

### MOUNTING SLEEVE CHARACTERISTIC



•The clips have been specially modified and upgraded to have a stronger structure in order to make up the absence of the screw fixing.



•There are two metal support plates on the bottom of the sleeve. It is used for fixing and preventing the mounting sleeve shifting while filling the concrete.  
•These will simply installer and electrician while they are recessing the sleeves.