

# Surface Mounting & Recessed Power LED Wall Light



### LED COLOUR TEMPERATURE

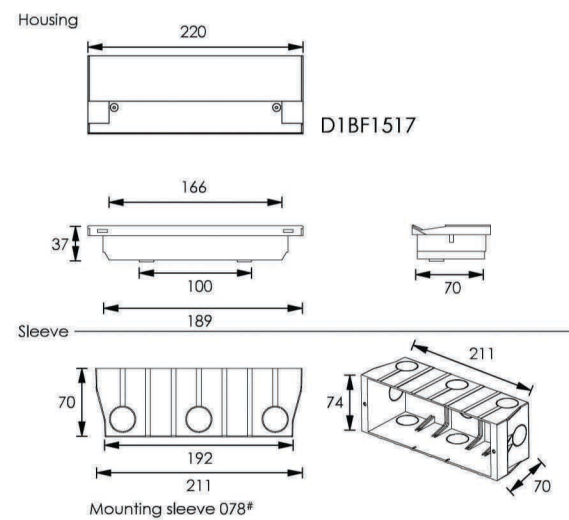
2000K · 3000K · 6000K

### OPTICS

N/A

### OUTER DIMENSIONS & ACCESSORIES

Unit:mm



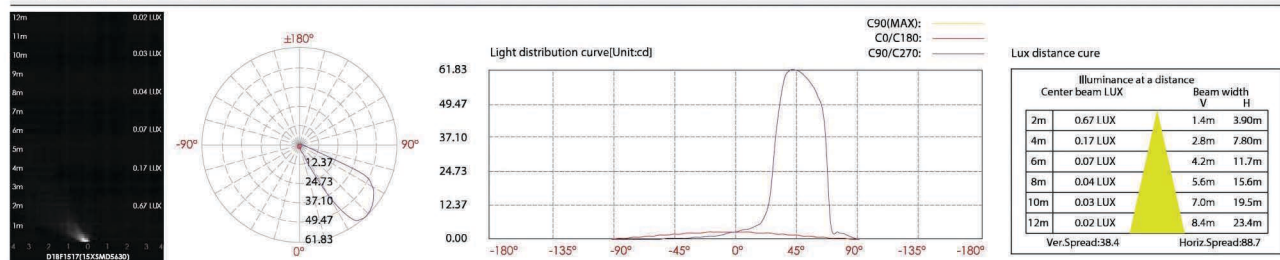
### MATERIAL SPECIFICATIONS

- HOUSING** | 12# Die-casting grey powder coated aluminum
- FRONT COVER** | T=60μm Adhesion of ISO class 1/ASTM class 4B
- LIGHT WINDOW** | 12# Die-casting aluminum
- GASKET** | Molding shaped silicone seal
- LED DRIVER** | Constant Voltage Input, Constant Current Output
- OPERATING TEMPERATURE** | -20°C~40°C
- POWER CABLE** | H05RN-F 2X1.0mm<sup>2</sup> L=0.5m (low voltage)  
| H05RN-F 3X1.0mm<sup>2</sup> L=0.5m (high voltage)
- MOUNTING SLEEVE** | ABS 078#
- DIMMABLE SUPPORT** | Triac PWM 1-10V Dali

### TECHNICAL DATA

ITEM	LIGHT SOURCE	INPUT VOLTAGE(V)	OPERATING CURRENT(MA)	CONSUMPTION(W)	LUMINANCE(LM)
D1BF1517	15×SMD3030	24V DC 120/240	24V = 125 120V = 60 240V = 34	24V = 3 120V = 3.7 240V = 3.7	Cool White = 73 Warm White = 65

### PHOTOMETRIC CURVES

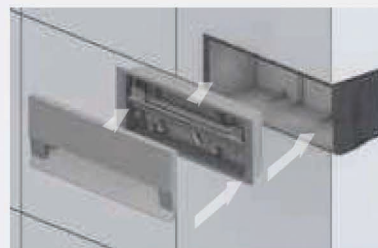


### FRONT COVER COLOR

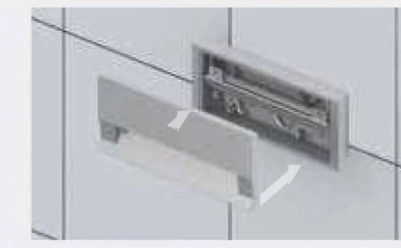


### MOUNTING SLEEVE CHARACTERISTIC

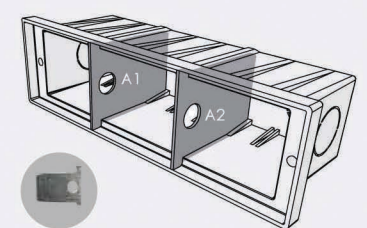
#### Recessed Installation



#### Surfaced Installation



#### Mounting Sleeve Characteristic



- The above picture-"A" is the supporting plate, used for "mounting sleeve" during the construction installation process to prevent deformation of the sleeve.
- The loading way such as A1, A2
- Please take out the supporting plate (A1 & A2) from the "mounting box" before installation.