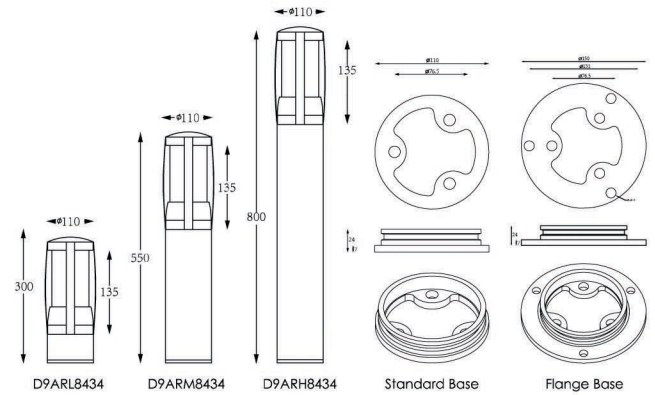


# Bollard Light



## OUTER DIMENSIONS & ACCESSORIES

Unit:mm



## MATERIAL SPECIFICATIONS

- HOUSING** | T=60-80um Adhesion of ISO class 1/ASTM class 4B  
| 12# Die-casting powder coated aluminum.
- LIGHT WINDOW** | PMMA
- LED** | SMD3030 type LED
- LED DRIVER** | Constant Voltage Input, Constant Current Output
- OPERATING TEMPERATURE** | -20°C~40°C
- POWER CABLE** | H05RN-F 3×1.0mm<sup>2</sup>L=0.3m (high voltage/short)  
| H05RN-F 3×1.0mm<sup>2</sup>L=0.5m (high voltage/medium)  
| H05RN-F 3×1.0mm<sup>2</sup>L=1.0m (high voltage/high)
- BASE** | Standard base  
| Flange base
- DIMMABLE SUPPORT** | Triac PWM 1-10V Dali

## LED COLOUR TEMPERATURE

3000K · 6000K

## OPTICS

N/A

## HOUSING COLOR OPTION

Basic



Sanded Black  
RAL9005

Secondary



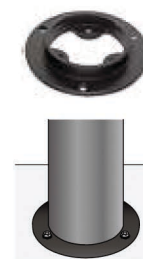
Light Sanded Grey  
RAL7038



Dark Grey  
RAL7037

## OPTIONAL BASE

1. Standard/Built-in Base SB00130
2. Flange Base FB00130



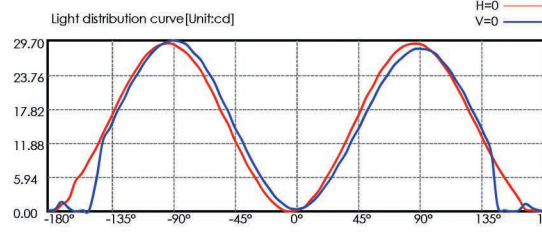
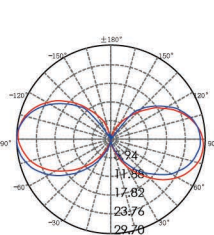
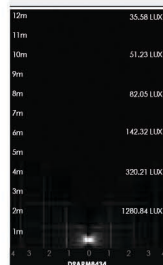
• Flange base is an optional part which you need to remove the standard base before the assembling.

LED and Driver Module

## TECHNICAL DATA

ITEM	LIGHT SOURCE	INPUT VOLTAGE(V)	OPERATING CURRENT(MA)	CONSUMPTION(W)	LUMINANCE(LM)
D9ARL8434 D9ARM8434 D9ARH8434	84X 0.1W	120/240	120V = 79 240V = 43	120V = 9.4 240V = 9.6	Warm White = 697

## PHOTOMETRIC CURVES



Lux distance cure

Center Beam LUX	Beam Width
0.03 LUX	0.0m 1.7m
0.01 LUX	0.0m 3.3m
0.00 LUX	0.0m 5.0m
0.00 LUX	0.0m 6.6m
0.00 LUX	0.0m 8.3m
0.00 LUX	0.0m 9.9m

Vert. Spread: 0.0    Horiz. Spread: 45.0