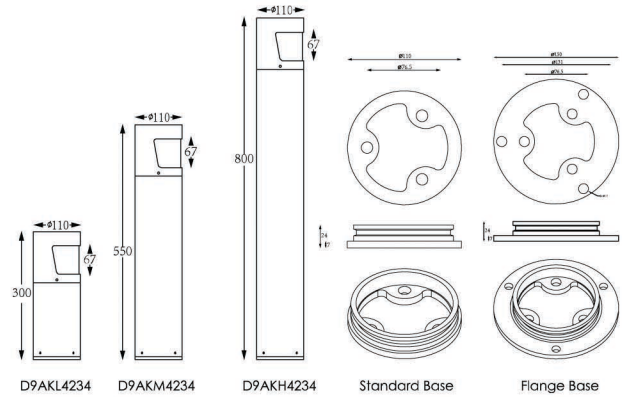


Bollard Light



OUTER DIMENSIONS & ACCESSORIES

Unit:mm



MATERIAL SPECIFICATIONS

- HOUSING** | T=60-80um Adhesion of ISO class 1/ASTM class 4B 12# Die-casting powder coated aluminum.
- LIGHT WINDOW** | PMMA
- LED** | SMD3030 type LED
- LED DRIVER** | Constant Voltage Input, Constant Current Output
- OPERATING TEMPERATURE** | -20°C~40°C
- POWER CABLE** | H05RN-F 3×1.0mm²L=0.3m(high voltage/short)
H05RN-F 3×1.0mm²L=0.5m(high voltage/medium)
H05RN-F 3×1.0mm²L=1.0m(high voltage/high)
- BASE** | Standard Base
Flange base
- DIMMABLE SUPPORT** | Triac PWM 1-10V Dali

LED COLOUR TEMPERATURE

3000K · 6000K

OPTICS

N/A

HOUSING COLOR OPTION

Basic



Sanded Black
RAL9005

Secondary



Light Sanded Grey
RAL7038



Dark Grey
RAL7037

OPTIONAL BASE

- Standard/Built-in Base SB00130
- Flange Base FB00130



• Flange base is an optional part which you need to remove the standard base before the assembling.

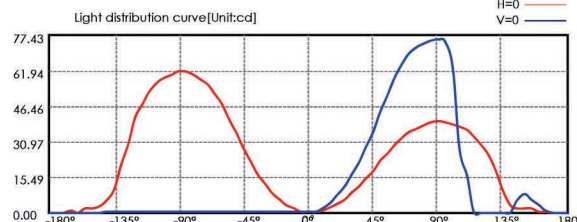
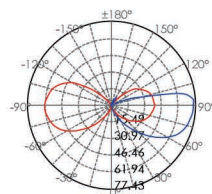


LED and Driver Module

TECHNICAL DATA

ITEM	LIGHT SOURCE	INPUT VOLTAGE(V)	OPERATING CURRENT(MA)	CONSUMPTION(W)	LUMINANCE(LM)
D9AKL4234 D9AKM4234 D9AKH4234	42X 0.2W	120/240	120V = 73 240V = 41	120V = 8.6 240V = 9	Cool White = 450 Warm White = 397

PHOTOMETRIC CURVES



Illuminance at a Distance		
Center Beam LUX	Beam Width V	Beam Width H
0.10 LUX	0.0m	2.2m
0.03 LUX	0.0m	4.5m
0.01 LUX	0.0m	6.7m
0.01 LUX	0.0m	8.9m
0.00 LUX	0.0m	11.1m
0.00 LUX	0.0m	13.4m

Vert. Spread: 0.0 Horiz. Spread: 58.2