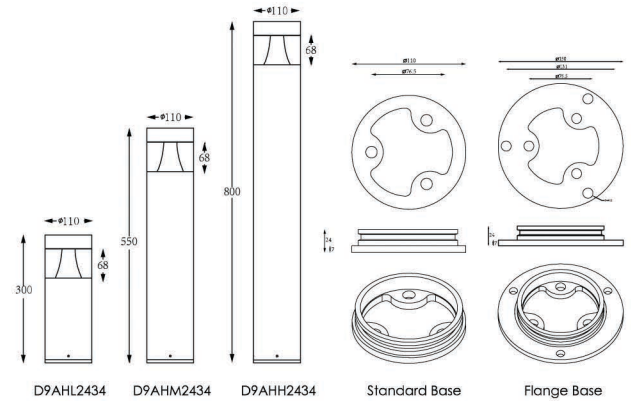


# Bollard Light



## OUTER DIMENSIONS & ACCESSORIES

Unit:mm



## MATERIAL SPECIFICATIONS

- HOUSING** | T=60-80um Adhesion of ISO class 1/ASTM class 4B  
| 12# Die-casting powder coated aluminum
- LIGHT WINDOW** | PMMA
- LED** | SMD3030 type LED
- LED DRIVER** | Constant Voltage Input, Constant Current Output
- OPERATING TEMPERATURE** | -20°C~40°C
- POWER CABLE** | H05RN-F 3×1.0mm<sup>2</sup>L=0.3m (high voltage/short)  
| H05RN-F 3×1.0mm<sup>2</sup>L=0.5m (high voltage/medium)  
| H05RN-F 3×1.0mm<sup>2</sup>L=1.0m (high voltage/high)
- BASE** | Standard Base  
| Flange base
- DIMMABLE SUPPORT** | Triac PWM 1-10V Dali

## LED COLOUR TEMPERATURE

3000K · 6000K

## OPTICS

N/A

## HOUSING COLOR OPTION

Basic



Sanded Black  
RAL9005

Secondary



Light Sanded Grey  
RAL7038



Dark Grey  
RAL7037

## OPTIONAL BASE

1. Standard/Built-in Base SB00130
2. Flange Base FB00130



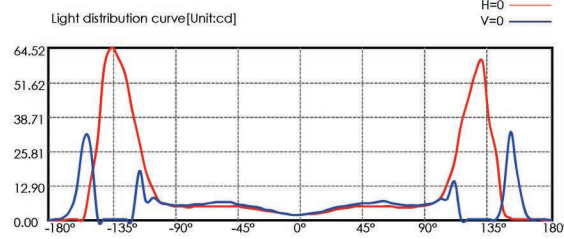
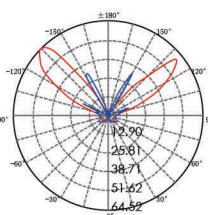
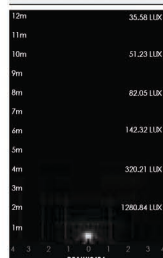
• Flange base is an optional part which you need to remove the standard base before the assembling.

LED and Driver Module

## TECHNICAL DATA

| ITEM                                | LIGHT SOURCE | INPUT VOLTAGE(V) | OPERATING CURRENT(MA)  | CONSUMPTION(W)           | LUMINANCE(LM)    |
|-------------------------------------|--------------|------------------|------------------------|--------------------------|------------------|
| D9AHL2434<br>D9AHM2434<br>D9AHH2434 | 24 X 0.2W    | 120/240          | 120V = 70<br>240V = 39 | 120V = 4.9<br>240V = 5.1 | Warm White = 263 |

## PHOTOMETRIC CURVES



Watt: 5.0w@v: 0.0 Horiz. Spread: 43.9

| Distance | Center Beam LUX | Beam Width |
|----------|-----------------|------------|
| 2m       | 0.51 LUX        | 0.0m 1.6m  |
| 4m       | 0.13 LUX        | 0.0m 3.2m  |
| 6m       | 0.06 LUX        | 0.0m 4.8m  |
| 8m       | 0.03 LUX        | 0.0m 6.4m  |
| 10m      | 0.02 LUX        | 0.0m 8.1m  |
| 12m      | 0.01 LUX        | 0.0m 9.7m  |