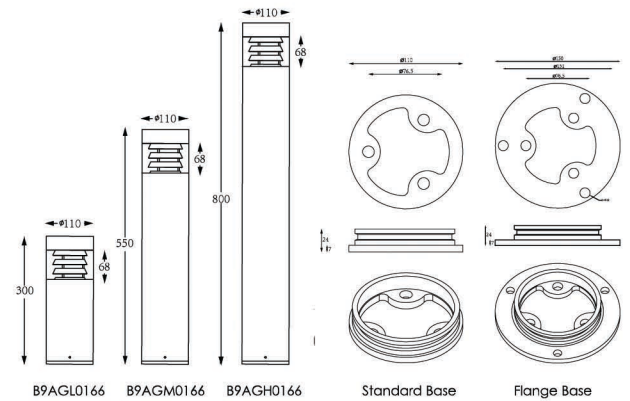


# Bollard Light



## OUTER DIMENSIONS & ACCESSORIES

Unit:mm



## MATERIAL SPECIFICATIONS

<b>HOUSING</b>	T=60-80um Adhesion of ISO class 1/ASTM class 4B   12# Die-casting powder coated aluminum.
<b>LIGHT WINDOW</b>	PMMA
<b>LED</b>	SMD3535 type LED
<b>LED DRIVER</b>	Constant Voltage Input, Constant Current Output
<b>OPERATING TEMPERATURE</b>	-20°C~40°C
<b>POWER CABLE</b>	H05RN-F 3×1.0mm <sup>2</sup> L=0.3m (high voltage/short)   H05RN-F 3×1.0mm <sup>2</sup> L=0.5m (high voltage/medium)   H05RN-F 3×1.0mm <sup>2</sup> L=1.0m (high voltage/high)
<b>BASE</b>	Standard Base   Flange base
<b>DIMMABLE SUPPORT</b>	Triac PWM 1-10V Dali

## OPTIONAL BASE

1. Standard/Built-in Base SB00130
2. Flange Base FB00130



• Flange base is an optional part which you need to remove the standard base before the assembling.

## LED COLOUR TEMPERATURE

3000K · 6000K

## OPTICS

N/A

## HOUSING COLOR OPTION

Basic



Sanded Black  
RAL9005

Secondary



Light Sanded Grey  
RAL7038



Dark Grey  
RAL7037

## TECHNICAL DATA

ITEM	LIGHT SOURCE	INPUT VOLTAGE(V)	OPERATING CURRENT(MA)	CONSUMPTION(W)	LUMINANCE(LM)
<b>B9AGL0166</b> <b>B9AGM0166</b> <b>B9AGH0166</b>	SMD3535 X 6W	120/240	120V = 108 240V = 60	120V = 7.7 240V = 8.1	Warm White

## PHOTOMETRIC CURVES

