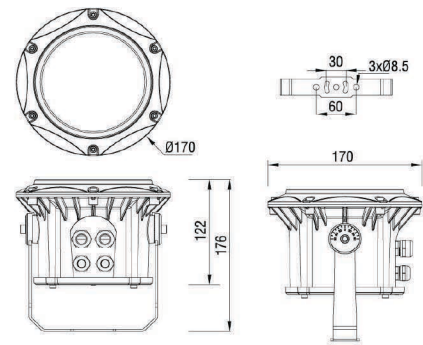


# JRF3-9



Product Dimension

- Original design, cover made of high-strength tempered glass, anti-impact, abrasion resistant.
- Powerful features, easy to control, can achieve the logarithmic dimming and mixed light in the distance of less than 1 m, transform the light soft and brilliant.



Adjustable Angle



Respirator



Ground spike



Visor

## Product Specification

Product Code	JRF3-9	JRF3-9/9×2.2W
LED Quantity	9pcs	9pcs
Rated Power	12/11.8W	24/22.4W
Color	Single /RGB	Single /RGB
Luminous Flux	942/422 lm	1488/639 lm
Installation Pipe Diameter	Φ8.5×60mm	Φ8.5×60mm
Input Voltage	AC100-277V	AC100-277V
Frequency Range	50/60Hz	50/60Hz
Control Mode	CC/DMX512	CC/DMX512
Beam Angle	10° 25° 40° 60°	10° 25° 40° 60°
Temperature of Working Condition	-35-50°C	-35-50°C
Humidity of Working Condition	10-90%	10-90%
LED Lifetime	70000h	70000h
Protection Grade	IP66	IP66
Net Weight	1.92kg 22.8kg	1.92kg 22.8kg
Gross Weight	2.15kg 26.4kg	2.15kg 26.4kg
Packing Size	255x220x235mm 720x560x530mm	255x220x235mm 720x560x530mm

Packing size is outer size of box  
All parameters are measured at 25°C ambient temperature, 35% humidity experimental environment  
Luminous flux is the maximum value among all kinds of light distribution.

