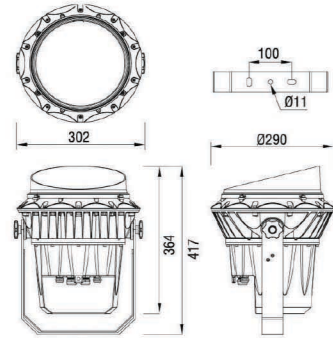




# JRF3-54



Product Dimension



- Creative design and many proprietary technologies in this LED projector light, not only make it at the top-level at this area, but also make the light to be an artwork.
- The light body is using the high pressure diecast aluminum, with electrostatic plastic coating. Resist the impact and friction. Single or double bracket to work with. Also diffuser to against glare is available.
- 12 kinds of dynamic routines inside. The creative dimming and mixing technic can achieve the lighting mixing in the distance less than 1m, making pure and magnificent lighting.h



Visor



Composited Bracket

## Product Specification

Product Code	JRF3-54	JRF3-54/54x2.2W
LED Quantity	54pcs	54pcs
Rated Power	85/128W	129W
Color	54 Single /14R14G14B12W	54Single
Luminous Flux	7201/4240 lm	9290 lm
Installation Pipe Diameter	Φ 11×100mm	Φ11×100mm
Input Voltage	AC100-277V	AC100-277V
Frequency Range	50/60Hz	50/60Hz
Control Mode	CC/DMX512	CC/DMX512
Beam Angle	10° 25° 40° 60°	10° 25° 40° 60°
Temperature of Working Condition	-35-50°C	-35-50°C
Humidity of Working Condition	10-90%	10-90%
LED Lifetime	70000h	70000h
Protection Grade	IP66	IP66
Net Weight	9.5kg	9.5kg
Gross Weight	10.2kg	10.2kg
Packing Size	365x350x475mm	365x350x475mm

Packing size is outer size of box  
All parameters are measured at 25°C ambient temperature, 35% humidity experimental environment  
Luminous flux is the maximum value among all kinds of light distribution.

