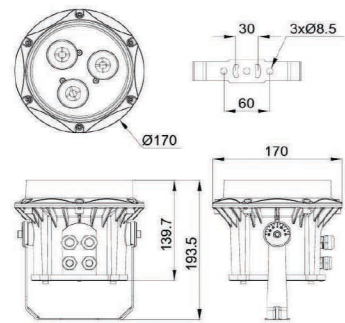




# JRF3-3R



Product Dimension



- The lamp body is using high strength die-casting aluminum, and cover using high strength toughened glass, anti-impact, abrasion resistant.
- Powerful features, easy to control, with 12 kinds of internal dynamic programs, and original logarithmic dimming, mixed lighting technology, which makes lighting soft and gorgeous.
- Integrated narrow lighting technology, can realize 4.5 degree beam angle.



Reflector



Adjustable Angle



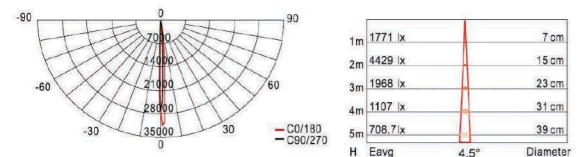
Respirator



Ground spike

## Product Specification

Product Code	JRF3-3R
LED Quantity	3pcs
Rated Power	8.5W
Color	Single/RGB
Luminous Flux	538/302 lm
Installation Pipe Diameter	Φ8.5×60mm
Input Voltage	AC100-277V
Frequency Range	50/60Hz
Control Mode	CC/DMX12
Beam Angle	4.5°
Temperature of Working Condition	-35-50°C
Humidity of Working Condition	10-90%
LED Lifetime	70000h
Protection Grade	IP66
Net Weight	1.85kg 22.2kg
Gross Weight	2.1kg 22.8kg
Packing Size	755x220x235mm 720x560x30mm



Packing size is outer size of box  
All parameters are measured at 25°C ambient temperature, 35% humidity experimental environment  
Luminous flux is the maximum value among all kinds of light distribution.