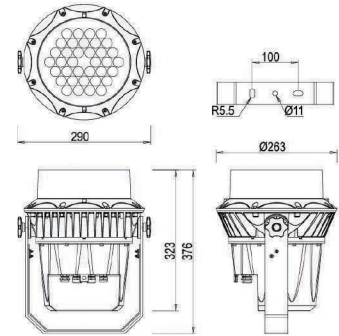


JRF3-36D



Product Dimension

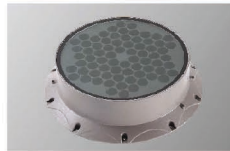
- Original design, creat top LED projector light. Fashion, modern outside design, make lamp become an art. Perfect combined with the environment.
- Lamp's main material is adopt high strength die-casting aluminum, cover adopt high toughen glass.shock and resistance rub resistance, Single double bracket use cooperatively.Alternative multiple accessories. Glare cover.
- Powerful function, strong control ability. 12 kinds of dynamic systems inside. Have original logarithmic dimming technology and mixture optical technology.The light varies soft and beautiful.



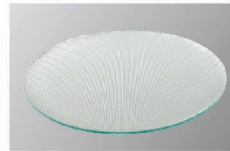
Circle light



Rectangular light



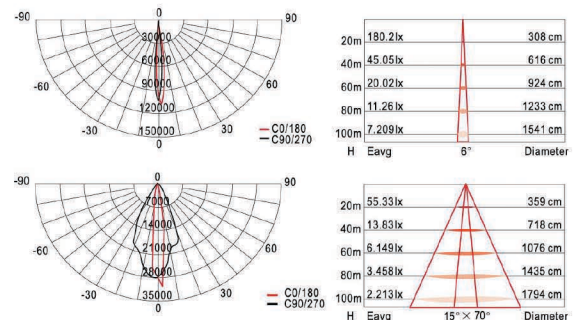
Light guide barrel



Rectangle glass (optional)

Product Specification

Product Code	JRF3-36D	JRF3-36D/36x2.2W
LED Quantity	36pcs	36pcs
Rated Power	58/86W	87W
Color	36 Single /10R10G10B6W	36Single
Luminous Flux	3810/2177 lm	4610 lm
Installation Pipe Diameter	Φ11×100mm	Φ11×100mm
Input Voltage	AC100-277V	AC100-277V
Frequency Range	50/60Hz	50/60Hz
Control Mode	CC/DMX512	CC/DMX512
Beam Angle	6°15X70°	6°15X70°
Temperature of Working Condition	-35-50°C	-35-50°C
Humidity of Working Condition	10-90%	10-90%
LED Lifetime	70000h	70000h
Protection Grade	IP66	IP66
Net Weight	7.7kg	7.7kg
Gross Weight	8.25kg	8.25kg
Packing Size	345x375x470mm	345x375x470mm



Packing size is outer size of box
All parameters are measured at 25°C ambient temperature, 35% humidity experimental environment
Luminous flux is the maximum value among all kinds of light distribution.
Zhejiang JR lighting technology company is provincial level research center