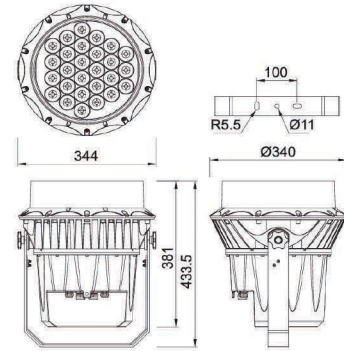


JRF3-27R



Product Dimension

- The lamp body is using high strength die-casting aluminum, and cover using high strength toughened glass, anti-impact, abrasion resistant.
- Powerful features, easy to control, with 12 kinds of internal dynamic programs, and original logarithmic dimming, mixed lighting technology, which makes lighting soft and gorgeous.
- Integrated narrow lighting technology, can realize 4.5 degree beam angle.



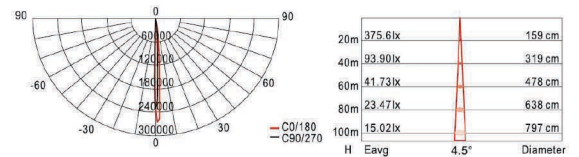
Reflector



Composited Bracket

Product Specification

Product Code	JRF3-27R
LED Quantity	27pcs
Rated Power	65.4W
Color	27Single/9R9G9B
Luminous Flux	4340/2411 lm
Installation Pipe Diameter	Φ 11×100mm
Input Voltage	AC100-277V
Frequency Range	50/60Hz
Control Mode	CC/DMX512
Beam Angle	4.5°
Temperature of Working Condition	-35-50°C
Humidity of Working Condition	10-90%
LED Lifetime	70000h
Protection Grade	IP66
Net Weight	11.8kg
Gross Weight	12.8kg
Packing Size	410x400x520mm



Packing size is outer size of box
All parameters are measured at 25°C ambient temperature, 35% humidity experimental environment
Luminous flux is the maximum value among all kinds of light distribution.