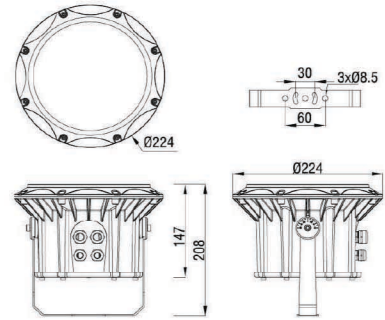




JRF3-24



Product Dimension

- Original design, cover made of high-strength tempered glass, anti-impact, abrasion resistant.
- Powerful features, easy to control, can achieve the logarithmic dimming and mixed light in the distance of less than 1 m, transform the light soft and brilliant.



Adjustable Angle



Respirator



Visor

Product Specification

Product Code	JRF3-24	JRF3-24/24x2.2W
LED Quantity	24pcs	24pcs
Rated Power	29.8/28.2W	40.3/43W
Color	Single /RGB	Single /RGB
Luminous Flux	1951/1057 lm	2380/1289 lm
Installation Pipe Diameter	Φ 8.5×60mm	Φ 8.5×60mm
Input Voltage	AC100-277V	AC100-277V
Frequency Range	50/60Hz	50/60Hz
Control Mode	CC/DMX512	CC/DMX512
Beam Angle	10° 25° 40° 60°	10° 25° 40° 60°
Temperature of Working Condition	-35-50°C	-35-50°C
Humidity of Working Condition	10-90%	10-90%
LED Lifetime	70000h	70000h
Protection Grade	IP66	IP66
Net Weight	3.75kg 29.6kg	3.75kg 29.6kg
Gross Weight	4.10kg 32.8kg	4.10kg 32.8kg
Packing Size	305x275x260mm 675x615x585mm	305x275x260mm 675x615x585mm

Packing size is outer size of box
All parameters are measured at 25°C ambient temperature, 35% humidity experimental environment
Luminous flux is the maximum value among all kinds of light distribution.

