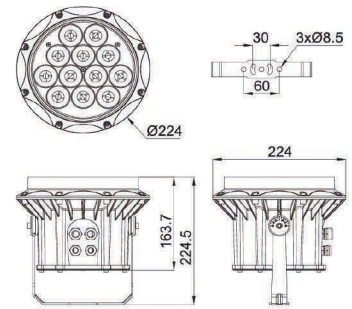


JRF3-12R



Product Dimension



- The lamp body is using high strength die-casting aluminum, and cover using high strength toughened glass, anti-impact, abrasion resistant.
- Powerful features, easy to control, with 12 kinds of internal dynamic programs, and original logarithmic dimming, mixed lighting technology, which makes lighting soft and gorgeous.
- Integrated narrow lighting technology, can realize 4.5 degree beam angle.



Reflector



Adjustable Angle



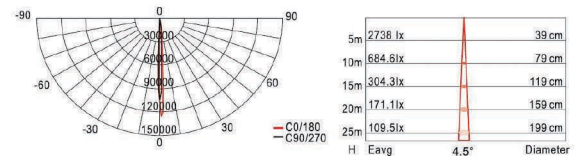
Respirator



Ground spike

Product Specification

Product Code	JRF3-12R
LED Quantity	12pcs
Rated Power	30.8W
Color	Single/RGB
Luminous Flux	2081/1156 Lm
Installation Pipe Diameter	Φ 8.5~40mm
Input Voltage	AC100-277V
Frequency Range	50/60Hz
Control Mode	CC/DMX512
Beam Angle	4.5°
Temperature of Working Condition	-35-50°C
Humidity of Working Condition	10-90%
LED Lifetime	70000h
Protection Grade	IP66
Net Weight	3.55kg 31.2kg
Gross Weight	3.9kg 31.6kg
Packing Size	305x275x240mm 67x6615x685mm



Packing size is outer size of box
All parameters are measured at 25°C ambient temperature, 35% humidity experimental environment
Luminous flux is the maximum value among all kinds of light distribution.