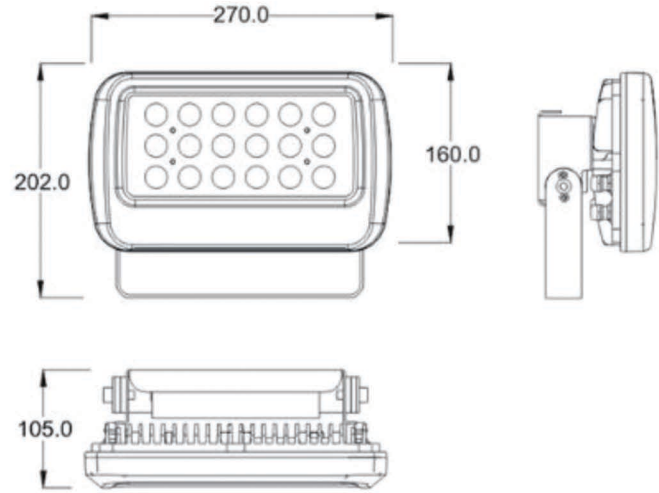


EST-JRF1-S



Product Dimension

Product Specification

Product Name	JRF1-S-060	JRF1-S-060
LED Quantity	18 pcs	18 pcs
Rated Power	55W	55W
Input Voltage	AC100-277V 50/60Hz	AC100-277V 50/60Hz
Control Mode	ON-OFF	DMX512
Power Factor	>0.9	>0.9
Light Color	4000K	RGBW
Luminous Flux	4072lm	2115lm
Beam Angle	10°/25°/35°/60°	10°/25°/35°/60°
Temperature of Working Condition	-30-50°C	-30-50°C
Humidity of Working Condition	10-90%	10-90%
LED Lifetime	>70000h	>70000h
Protection Grade	IP66	IP66
Net Weight	3.2Kg	3.2Kg
Gross Weight	4.0Kg	4.0Kg
Package Size	320*310*215mm/2in1	320*310*215mm/2in1

