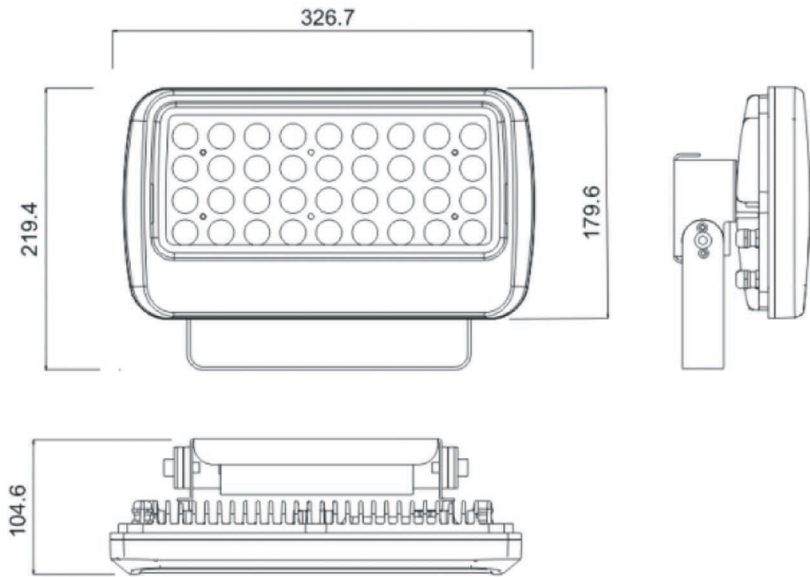


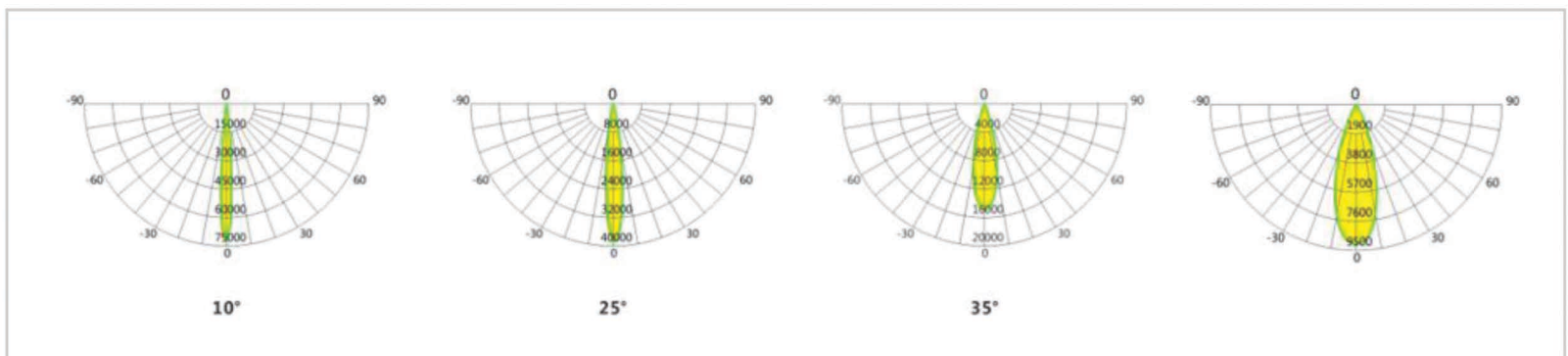
EST-JRF1-L



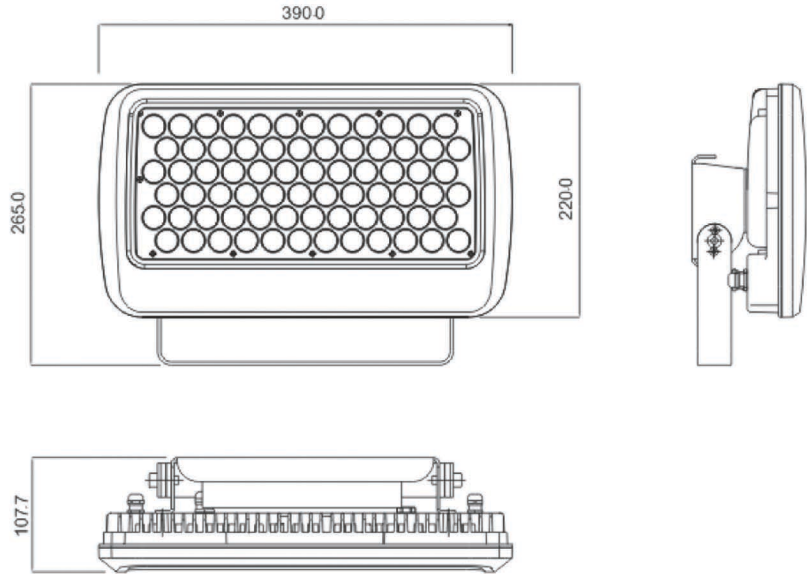
Product Dimension

Product Specification

Product Name	JRF1-L-120	JRF1-L-120-C
LED Quantity	54 pcs	54 pcs
Rated Power	108W	108W
Input Voltage	AC100-277V 50/60Hz	AC100-277V 50/60Hz
Control Mode	ON-OFF	DMX512
Power Factor	>0.9	>0.9
Light Color	4000K	RGBW
Luminous Flux	9396lm	5220lm
Beam Angle	10°/25°/35°/60°	10°/25°/35°/60°
Temperature of Working Condition	-30-50°C	-30-50°C
Humidity of Working Condition	10-90%	10-90%
LED Lifetime	>70000h	>70000h
Protection Grade	IP66	IP66
Net Weight	5.8Kg	3.7Kg
Gross Weight	7.0Kg	4.7Kg
Package Size	440*155*275mm	375*160*240mm/2in1



EST-JRF1-L



Product Dimension

Product Specification

Product Name	JRF1-L-160	JRF1-L-150-C
LED Quantity	72 pcs	72 pcs
Rated Power	145W	135W
Input Voltage	AC100-277V 50/60Hz	AC100-277V 50/60Hz
Control Mode	ON-OFF	DMX512
Power Factor	>0.9	>0.9
Light Color	4000K	RGBW
Luminous Flux	12528lm	6525lm
Beam Angle	10°/25°/35°/60°	10°/25°/35°/60°
Temperature of Working Condition	-30-50°C	-30-50°C
Humidity of Working Condition	10-90%	10-90%
LED Lifetime	>70000h	>70000h
Protection Grade	IP66	IP66
Net Weight	5.8Kg	5.8Kg
Gross Weight	7.0Kg	7.0Kg
Package Size	440*155*275mm	440*155*275mm

