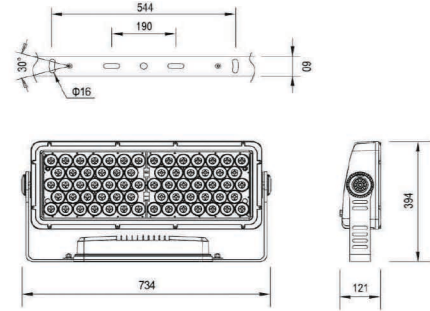




JRF5-66



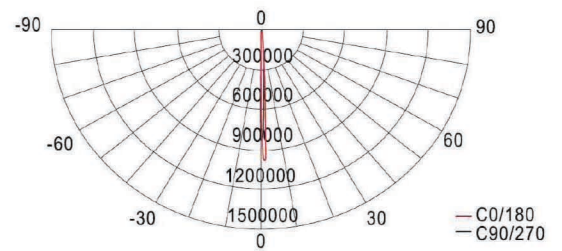
Product Dimension



- Super narrow optical design, entire angle reach 4.5 degree, single light can lighting distance reach 200 meters.
- Lamp adopt aluminum alloy, high heat dissipation. Low weight design, whole lamp weight just 17 kg.
- Multiple control function, the intelligent logarithmic dimming technology enrich the color saturation.
- Strong structure function, adjust angle can precision to 2.5 degree: use flexible, can load sighting telescope accurate positioning for the long distance.

Product Specification

Product Code	JRF5-66
LED Quantity	66pcs
Rated Power	158W
Color	Single/18R/18G/18B/12W
Luminous Flux	11227/6257 lm
Input Voltage	AC100-277V
Frequency Range	50/60Hz
Control Mode	CC/DMX512
Beam Angle	4.5°
Temperature of Working Condition	-35-50°C
Humidity of Working Condition	10-90%
LED Lifetime	70000h
Protection Grade	IP66
Net Weight	14.2kg/16.5kg
Gross Weight	16.1kg/18.4kg
Packing Size	790x450x310mm RGBW 790x450x200mm Single



H	Eavg	4.5°	Diameter
20m	1385lx		160 cm
40m	346.2lx		319 cm
60m	153.9lx		479 cm
80m	86.54lx		638 cm
100m	55.39lx		798 cm