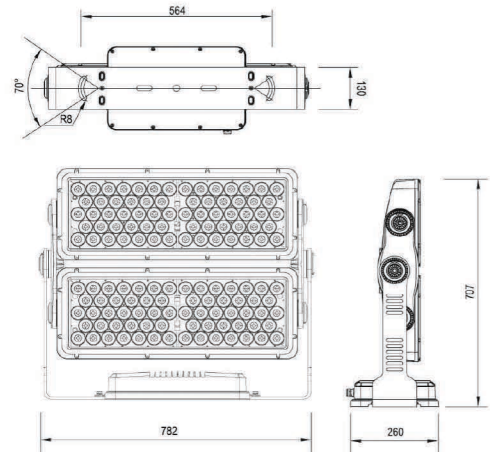


# JRF5-132

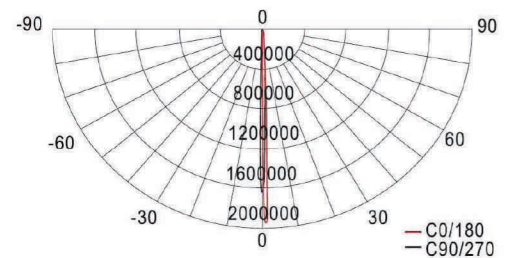


Product Dimension

- Super narrow optical design, entire angle reach 4.5 degree, single light can lighting distance reach 200 meters.
- Lamp adopt aluminum alloy, high heat dissipation. Low weight design, whole lamp weight just 30 kg.
- Multiple control function, the intelligent logarithmic dimming technology enrich the color saturation.
- Strong structure function, adjust angle can precision to 2.5 degree; use flexible, can load sighting telescope accurate positioning for the long distance.

## Product Specification

| Product Code                     | JRF5-132                                   |
|----------------------------------|--|
| LED Quantity                     | 132pcs                                     |
| Rated Power                      | 316W                                       |
| Color                            | Single/36R36G36B24W                        |
| Luminous Flux                    | 22160/12311 lm                             |
| Input Voltage                    | AC100-277V                                 |
| Frequency Range                  | 50/60Hz                                    |
| Control Mode                     | CC/DMX512                                  |
| Beam Angle                       | 4.5°                                       |
| Temperature of Working Condition | -35-50°C                                   |
| Humidity of Working Condition    | 10-99%                                     |
| LED Lifetime                     | 70000h                                     |
| Protection Grade                 | IP66                                       |
| Net Weight                       | 27kg/30kg                                  |
| Gross Weight                     | 31kg/35kg                                  |
| Packing Size                     | 866x777x335mm RGBW<br>866x777x225mm Single |



| H    | Eavg     | Diameter |
|------|----------|----------|
| 20m  | 2733 lx  | 160 cm   |
| 40m  | 683.2 lx | 319 cm   |
| 60m  | 303.7 lx | 479 cm   |
| 80m  | 170.8 lx | 638 cm   |
| 100m | 109.3 lx | 798 cm   |