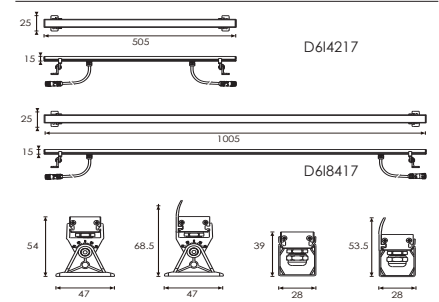


IP-65 Slim Type Linear Light Bar



Outer Dimensions Unit:mm



Material Specifications

Housing	Aluminum anodized finishing & powder painting
Diffuse	PC T=2mm
Cable gland	Copper and nickel coated
LED	SMD2835
PCB	Heat Conductivity>2.0w/mk
LED Driver	Constant current IC on the board
Operating temperature	-20°C~40°C
Power cable	H03VV-F 2X0.75mm ² L=option
Dimmable Support	Triac PWM 1-10V Dali

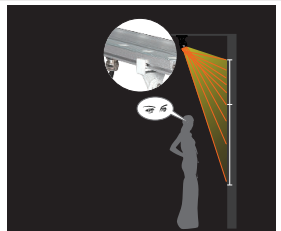
LED Colour Temperature	Optics
2000K	N/A
3000K	
6000K	



Air Valve



Cap-Optional Accessory

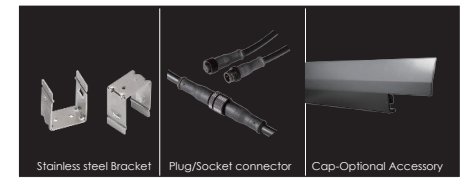


The cap can effectively :
1.Reduce the people view angle to the light
2.concentrate the brightness.



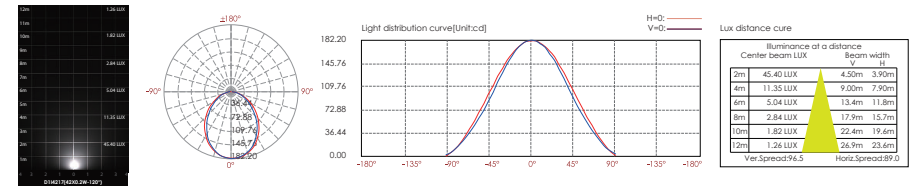
Bracket

Optional Parts



Item	Light source	Length L(mm)	The manufacturer selected lens degree(*θ)1/2	Input voltage(V)	Typical operating current(mA)	Typical consumption(W)	Typical luminance(lm)	Power Factor PF%	IK rate
D614217	42x0.2W	505	120°	24V DC	350	8.5	Cool white=430 Warm white=418	1	02
D618417	84x0.2W	1005	120°	24V DC	700	17	Cool white=994 Warm white=867	1	02

D614217



D618417

