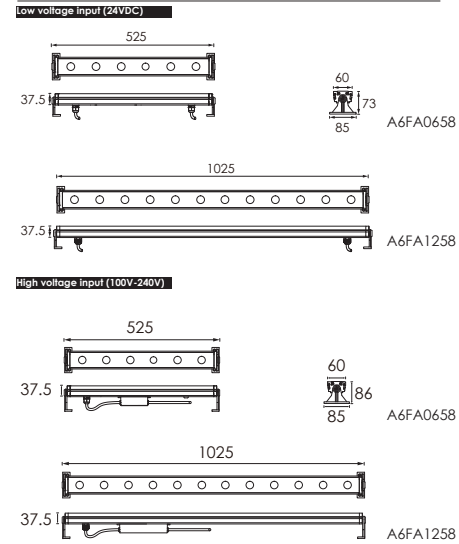


High Luminance LED Linear Wall Washer



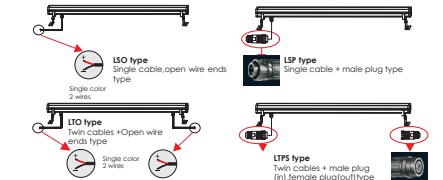
Outer Dimensions



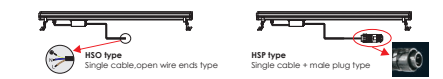
Material Specifications

Housing	Extruded aluminum, powder coated
Lens	Optical lens, efficiency>85%
Light Window	Tempered glass, t=3mm
Cable gland	IP68 PG-13.5 PA66
Gasket	Glass and housing are silicone sealed
LED	NICHIA SMD 3535
Operating temperature	-20°C~40°C
Bracket	12# Die-casting powder coated aluminum
Power Cable	H07RN-F 2X1.5mm ² L=0.25m (low voltage) H05RN-F 3X1.0mm ² L=0.6m (high voltage)
Dimmable support	Triac PWM 1-10V Dali

Low voltage input (24VDC) power cord model



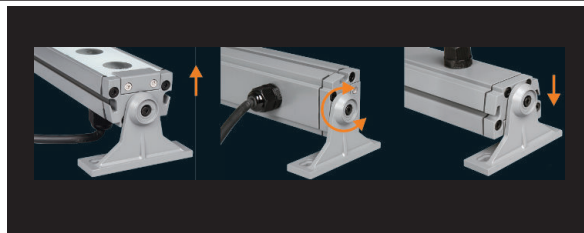
High voltage input (100V-240V) power cord wiring model



LED Colour Temperature	Optics
3000K	A24 15°
6000K	L0115D038LK 15°



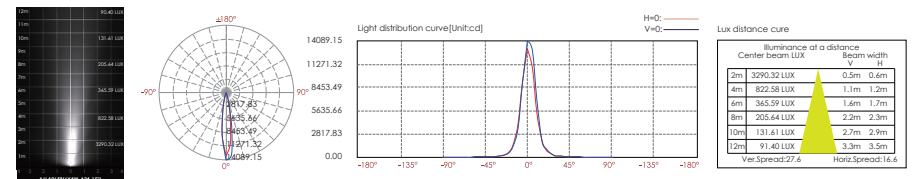
Optional Honeycomb Louver



Adjustable beam direction

Item	Light source	Lens	The manufacturer selected lens degree(°)θ1/θ2	Length L(mm)	Input voltage(V)	Typical operating current(mA)	Typical consumption(W)	Typical luminance(lm)	IK rate
A6FA0658	6X4W Nichia	A24	15°	525	24V DC	24V = 1200	24V = 28.8	Cool white 1930	05
					120V = 222	120V = 26	Warm white 1583		
					240V = 114	240V = 26.1			
A6FA1258	12X4W Nichia	A24	15°	1025	24V DC	24V = 2380	24V = 57.6	Cool white 4417	05
					120V = 425	120V = 50	Warm white 3622		
					240V = 215	240V = 51			

A6FA0658



A6FA1258

