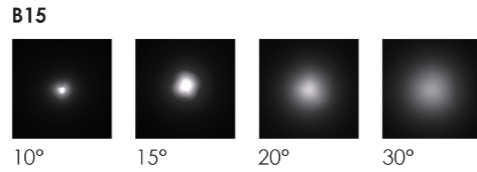


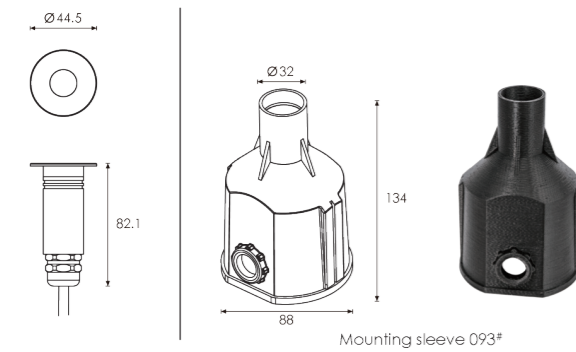


Tiny Underwater LED Spot Light

LED Colour Temperature	Optics
<ul style="list-style-type: none"> 2000K 3000K 6000K 	B15 L0110D016LK 10° L0115D016LK 15° L0120D016LK 20° L0130D016LK 30°

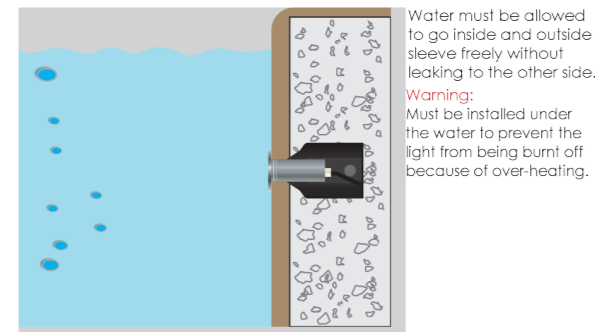


Outer Dimension Unit:mm

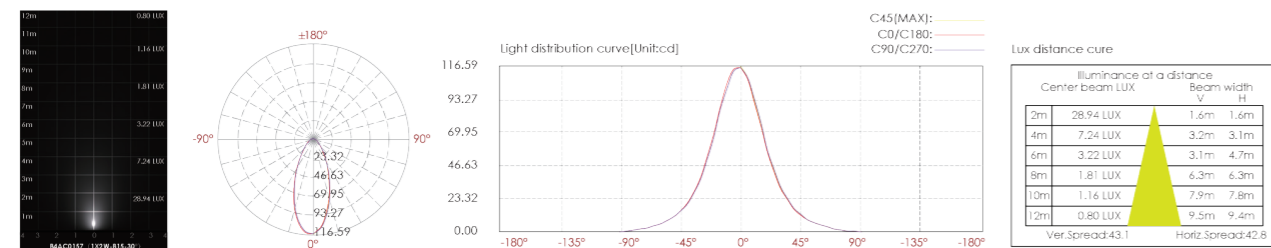


Material specifications

Front cover&Housing	Molding shaped sus 316L# stainless steel housing
Gasket	EPDM gasket
Light Window	Step tempered glass. T=4mm
Lens	Optical lens, efficiency≥85%
Cable gland	IP68 PG-11 copper with nickel-coated
PCB	Excellent heat conductivity aluminum, coefficient of heat conductivity≥2.0w/mk
LED Driver	Constant Voltage Input, Constant Current Output
Application environment	Temperature of water between -20°C~40°C less than 1 meter depth.
Power cable	H07RN-F 2X1.0mm L=3m
Dimmable Support	Triac PWM 1-10V Dali

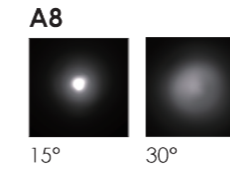


Item	Light source	Lens	The manufacturer selected lens degree(°)±1/2	Input voltage(V)	Typical operating current(mA)	Typical consumption(w)	Typical luminance(lm)	IK rate
B4AC0157	1x2W Single color	B15	30°	24V DC	87	2.0	Cool white=102 Warm white= 94	07

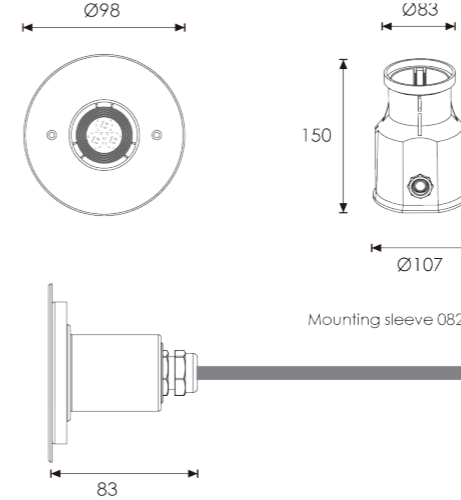


Wall Recessed LED Pool Light Completely stainless steel SUS 316L# housing & Accessories

LED Colour Temperature	Optics
<ul style="list-style-type: none"> 2000K 3000K 6000K 	A8 L0315D023LK 15° L0330D023LK 30°

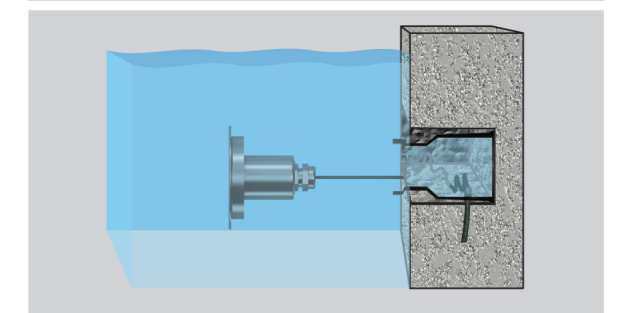


Outer Dimensions Unit:mm



Material specifications

Front cover&Housing	Hard chromeplated molding shaped SUS 316L# stainless steel housing
Gasket	EPDM gasket
Light Window	Step tempered glass. T=8mm
Lens	All-in-one optical lens, efficiency≥85%
Cable gland	IP68 PG-11 copper with nickel-coated
PCB	Excellent heat conductivity aluminum, coefficient of heat conductivity≥2.0w/mk
LED Driver	Constant Voltage Input, Constant Current Output
Application environment	Temperature of water between -20°C~40°C less than 1 meter depth.
Power cable	H07RN-F 2X1.0mm L=3m
Dimmable Support	Triac PWM 1-10V Dali



Water must be allowed to go inside and outside sleeve freely without leaking to the other side.
Warning: Must be installed under the water to prevent the light from being burnt off because of over-heating.

Item	Light source	Lens	The manufacturer selected lens degree(°)±1/2	Input voltage(V)	Typical operating current(mA)	Typical consumption(w)	Typical luminance(lm)	IK rate
A4AA0357	3x2W Single color	A8	30°	24V DC	245	5.9	Cool white =466 Warm white =383	07

