



Recessed LED downlight with quality aluminum body in powder-coated, with multiple reflecting angles of anti-dazzle reflector for selection, excellent heat sink capability, remote LED driver.

Application: supermarkets, chain stores, shopping mall, villas, hotels, halls.

# LED SPOT LIGHT



SPOT LIGHT



Φ142



H



Φ130mm

30° 350°



Frosted Glass



Clear Glass

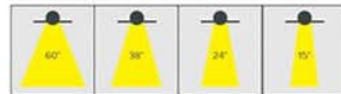
Model	P	H
FS1060-30	Max.30W	128
FS1060-35	Max.35W	138
FS1060-42	Max.42W	153

Operating Temp. : -30°C + 40°C  
26W COB chip (DC700mA) / FS1060-30

- 2700K/2107lm Ra90
- 3000K/2340lm Ra90
- 4000K/2645lm Ra80
- 5000K/2943lm Ra70

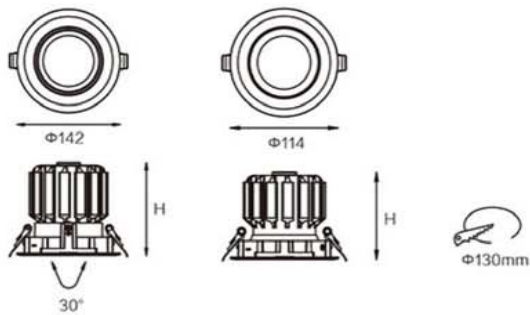
Remote Driver: AC100-240V 50/60Hz  
Driver performance: Non-dimmable/dimmable  
Dimmer: DALI/0~10v/Triac

Beam angle



Color selection

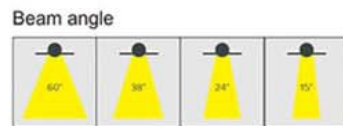




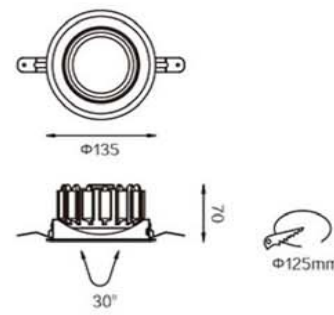
Model	P	H
FS5070-30	Max.30W	113
FS5070-35	Max.35W	123
FS5080-30	Max.30W	106
FS5080-35	Max.35W	116

Operating Temp. : -30°C + 40°C  
 26W / 30W COB chip (DC700mA / DC800mA)  
 ■ 2700K/2115lm Ra90  
 ■ 3000K/2280lm 2735lm Ra90  
 ■ 4000K/2640lm 3080lm Ra80  
 ■ 5000K/2910lm 3435lm Ra70

Remote Driver: AC100-240V 50/60Hz  
 Driver performance: Non-dimmable/dimmable  
 Dimmer: DALI/0~10v/Triac



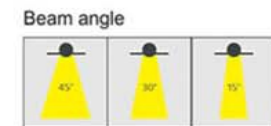
Color selection  
 B  S  W



**FS5072-25**  
 Max.25W

Operating Temp. : -30°C + 40°C  
 23W COB chip (DC600mA)  
 ■ 2700K/1750lm Ra90  
 ■ 3000K/1975lm Ra90  
 ■ 4000K/2250lm Ra80  
 ■ 5000K/2450lm Ra70

Remote Driver: AC100-240V 50/60Hz  
 Driver performance: Non-dimmable/dimmable  
 Dimmer: DALI/0~10v/Triac



Color selection  
 B  S  W



Φ100



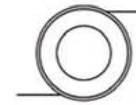
Φ94mm



Frosted Glass



Clear Glass



Φ82



82



Φ76mm



Frosted Glass



Clear Glass

**FS5045-15**  
Max.15W

Operating Temp. : -30°C + 40°C

13W COB chip (DC350mA)

- 2700K/1050lm Ra90
- 3000K/1170lm Ra90
- 4000K/1320lm Ra80
- 5000K/1470lm Ra70

Remote Driver: AC100-240V 50/60Hz

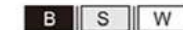
Driver performance: Non-dimmable/dimmable

Dimmer: DALI/0~10v/Triac

Beam angle



Color selection



Model	P	H
FS5041-15	Max.15W	82
FS5042-22	Max.22W	97

Operating Temp. : -30°C + 40°C

13W / 19W COB chip (DC350mA / DC500mA)

- 2700K/1050lm 1543lm Ra90
- 3000K/1170lm 1716lm Ra90
- 4000K/1326lm 1936lm Ra80
- 5000K/1470lm 2156lm Ra70

Remote Driver: AC100-240V 50/60Hz

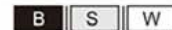
Driver performance: Non-dimmable/dimmable

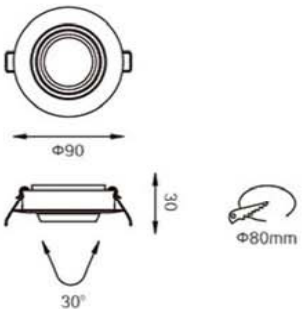
Dimmer: DALI/0~10v/Triac

Beam angle



Color selection





**FS5053-05**

Max.5W

Operating Temp. : -30°C + 40°C

4.5W COB chip (DC500mA)

- 2700K/365lm Ra90
- 3000K/397lm Ra90
- 4000K/443lm Ra80
- 5000K/490lm Ra70

Remote Driver: AC100-240V 50/60Hz

Driver performance: Non-dimmable/dimmable

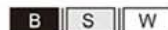
Dimmer: 0~10v/Triac



Beam angle



Color selection



**FS5040-03**

Max.3W

Operating Temp. : -30°C + 40°C

2.5W COB chip (DC300mA)

- 2700K/219lm Ra90
- 3000K/265lm Ra90
- 4000K/267lm Ra80
- 5000K/294lm Ra70

Remote Driver: AC100-240V 50/60Hz

Driver performance: Non-dimmable/dimmable

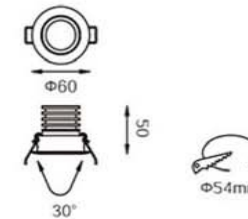
Dimmer: 0~10v/Triac



Beam angle



Color selection



**FS5040-02**

Max.2W

Operating Temp. : -30°C + 40°C

1.5W COB chip (DC500mA)

- 2700K/145lm Ra90
- 3000K/156lm Ra90
- 4000K/177lm Ra80
- 5000K/198lm Ra70

Remote Driver: AC100-240V 50/60Hz

Driver performance: Non-dimmable/dimmable

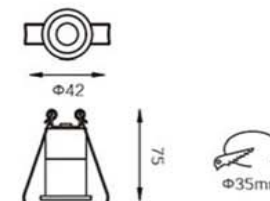
Dimmer: 0~10v/Triac



Beam angle

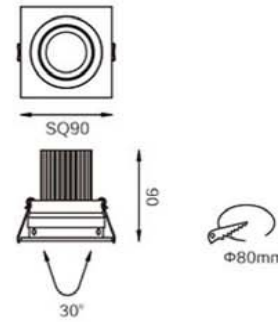
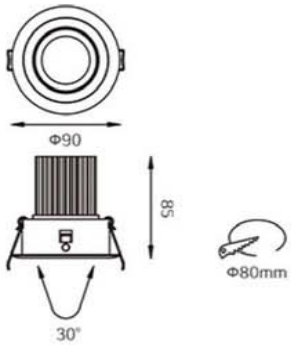


Color selection



Simple and special design for easy dismounting. One module with different optional front housing  
Two Wattage (13/26W) for selecting.

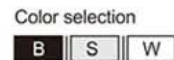
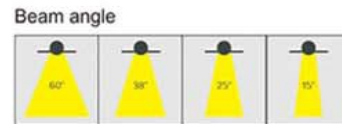




**FS5048-13**  
Max. 13W

Operating Temp. : -30°C + 40°C  
11W COB chip (DC450mA)  
 ■ 2700K/926lm Ra90  
 ■ 3000K/1019lm Ra90  
 ■ 4000K/1144lm Ra80  
 ■ 5000K/1275lm Ra70

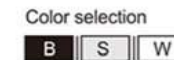
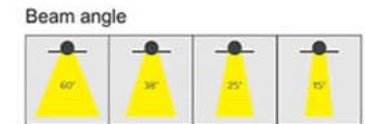
Remote Driver: AC100-240V 50/60Hz  
Driver performance: Non-dimmable/dimmable  
Dimmer: 0~10v/Triac



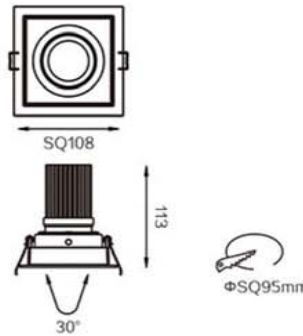
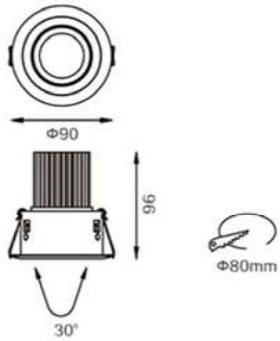
**FS-5048A-13**  
Max. 13W

Operating Temp. : -30°C + 40°C  
11W COB chip (DC450mA)  
 ■ 2700K/926lm Ra90  
 ■ 3000K/1019lm Ra90  
 ■ 4000K/1144lm Ra80  
 ■ 5000K/1275lm Ra70

Remote Driver: AC100-240V 50/60Hz  
Driver performance: Non-dimmable/dimmable  
Dimmer: 0~10v/Triac







**FS5047-13**  
Max. 13W

- Operating Temp. : -30°C + 40°C  
11W COB chip (DC450mA)
- 2700K/926lm Ra90
  - 3000K/1019lm Ra90
  - 4000K/1144lm Ra80
  - 5000K/1275lm Ra70

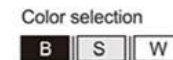
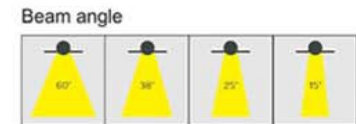
Remote Driver: AC100-240V 50/60Hz  
Driver performance: Non-dimmable/dimmable  
Dimmer: 0~10v/Triac



**FS5047A-13**  
Max. 13W

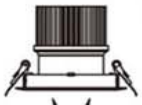
- Operating Temp. : -30°C + 40°C  
11W COB chip (DC450mA)
- 2700K/926lm Ra90
  - 3000K/1019lm Ra90
  - 4000K/1144lm Ra80
  - 5000K/1275lm Ra70

Remote Driver: AC100-240V 50/60Hz  
Driver performance: Non-dimmable/dimmable  
Dimmer: 0~10v/Triac





Φ138



105



Φ123mm

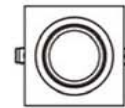
30°



Frosted Glass



Clear Glass



SQ138



105



Φ123mm

30°



Frosted Glass



Clear Glass

**FS5050-26**

Max.26W

Operating Temp. : -30°C + 40°C

23W COB chip (DC700mA)

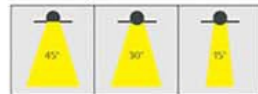
- 2700K/1825lm Ra90
- 3000K/2028lm Ra90
- 4000K/2288lm Ra80
- 5000K/2548lm Ra70

Remote Driver: AC100-240V 50/60Hz

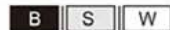
Driver performance: Non-dimmable/dimmable

Dimmer: DALI/0~10v/Triac

Beam angle



Color selection



**FS5050A-26**

Max.26W

Operating Temp. : -30°C + 40°C

23W COB chip (DC700mA)

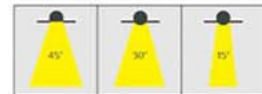
- 2700K/1825lm Ra90
- 3000K/2028lm Ra90
- 4000K/2288lm Ra80
- 5000K/2548lm Ra70

Remote Driver: AC100-240V 50/60Hz

Driver performance: Non-dimmable/dimmable

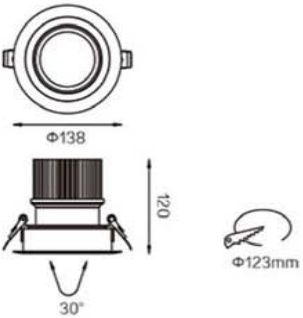
Dimmer: DALI/0~10v/Triac

Beam angle



Color selection

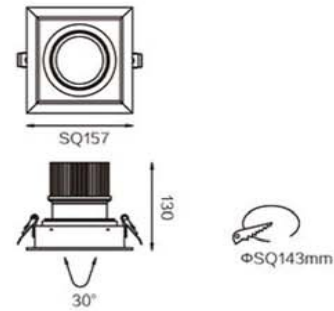
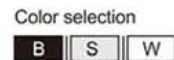
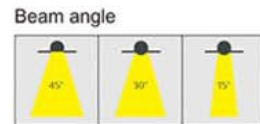




**FS5049-26**  
Max.26W

- Operating Temp. : -30°C + 40°C  
23W COB chip (DC700mA)
- 2700K/1825lm Ra90
  - 3000K/2028lm Ra90
  - 4000K/2288lm Ra80
  - 5000K/2548lm Ra70

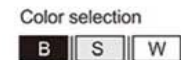
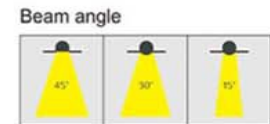
Remote Driver: AC100-240V 50/60Hz  
Driver performance: Non-dimmable/dimmable  
Dimmer: DALI/0~10v/Triac



**FS5049A-26**  
Max.26W

- Operating Temp. : -30°C + 40°C  
23W COB chip (DC700mA)
- 2700K/1825lm Ra90
  - 3000K/2028lm Ra90
  - 4000K/2288lm Ra80
  - 5000K/2548lm Ra70

Remote Driver: AC100-240V 50/60Hz  
Driver performance: Non-dimmable/dimmable  
Dimmer: DALI/0~10v/Triac





Ø136



136



Ø150mm

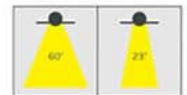


Frosted Glass



Clear Glass

Beam angle



Color selection



**FS5077-42**

Max.42W

Operating Temp. : -30°C + 40°C

38W COB chip (DC1000mA)

■ 2700K/2958lm Ra90

■ 3000K/3360lm Ra90

■ 4000K/3696lm Ra80

■ 5000K/4116lm Ra70

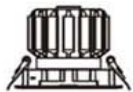
Remote Driver: AC100-240V 50/60Hz

Driver performance: Non-dimmable/dimmable

Dimmer: DALI/0-10v/Triac



Φ142



108



Φ130mm



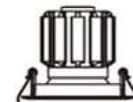
Frosted Glass



Clear Glass



Φ110



06



Φ95mm



Frosted Glass



Clear Glass

**FS5052-20**

Max. 18W

Operating Temp. : -30°C + 40°C

17.5W COB chip (DC500mA)

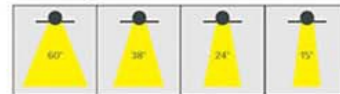
- 2700K 1418lm Ra90
- 3000K 1560lm Ra90
- 4000K 1760lm Ra80
- 5000K 1960lm Ra70

Remote Driver: AC100-240V 50/60Hz

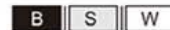
Driver performance: Non-dimmable/dimmable

Dimmer: DALI/0~10v/Triac

Beam angle



Color selection



**FS5051-12**

Max. 12W

Operating Temp. : -30°C + 40°C

11W COB chip (DC300mA)

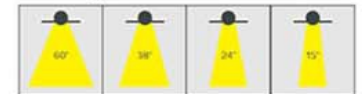
- 2700K/840lm Ra90
- 3000K/936lm Ra90
- 4000K/1056lm Ra80
- 5000K/1176lm Ra70

Remote Driver: AC100-240V 50/60Hz

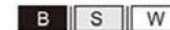
Driver performance: Non-dimmable/dimmable

Dimmer: DALI/0~10v/Triac

Beam angle



Color selection





Soft and uniform light spot, no stray light.

光斑柔合、均匀、无杂光。

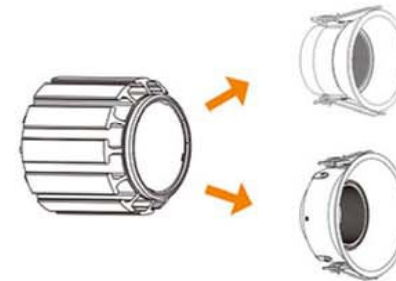


Perfect light shape, makes a comfortable, luxurious visual effect, The Lighting Designers' first option.

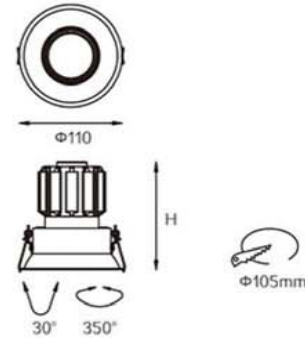
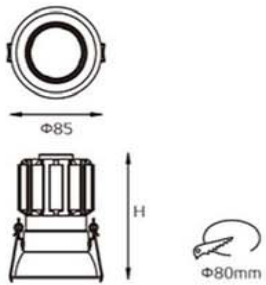


Ultra-narrow width design, make your decoration effect more artistic and modern

Simple, elegant, unique design, easy to disassemble  
Perfect light shape, lighting designers' first option  
2 styles (adjustable/non-adjustable) for selection



Simple, elegant, unique design, easy to disassemble

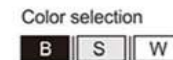
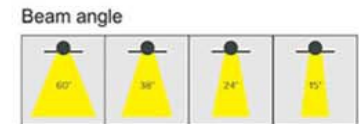
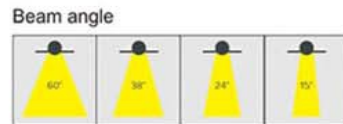


Model	P	H
FS5071-14	Max.14W	118
FS5071-18	Max.18W	128

Model	P	H
FS5073-14	Max.14W	115
FS5073-18	Max.18W	125

- Operating Temp. : -30°C + 40°C  
 12W / 16W COB chip (DC300mA / DC500mA)
- 2700K/851lm 1260lm Ra90
  - 3000K/936lm 1368lm Ra90
  - 4000K/1056lm 1584lm Ra80
  - 5000K/1176lm 1728lm Ra70

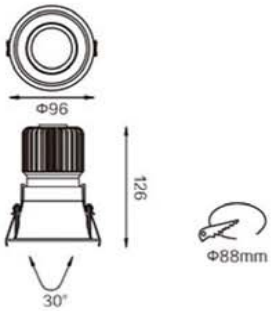
Remote Driver: AC100-240V 50/60Hz  
 Driver performance: Non-dimmable/dimmable  
 Dimmer: DALI/0~10v/Triac



- Operating Temp. : -30°C + 40°C  
 12W / 16W COB chip (DC300mA / DC500mA)
- 2700K/851lm 1260lm Ra90
  - 3000K/936lm 1368lm Ra90
  - 4000K/1056lm 1584lm Ra80
  - 5000K/1176lm 1728lm Ra70

Remote Driver: AC100-240V 50/60Hz  
 Driver performance: Non-dimmable/dimmable  
 Dimmer: DALI/0~10v/Triac

# SPOT LIGHT



## FS1055-16

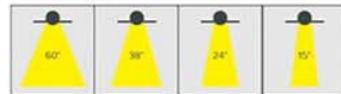
Max. 16W

- Operating Temp. : -30°C + 40°C  
14W COB chip (DC350mA)
- 2700K/1120lm Ra90
  - 3000K/1286lm Ra90
  - 4000K/1440lm Ra80
  - 5000K/1568lm Ra70

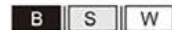
Remote Driver: AC100-240V 50/60Hz  
Driver performance: Non-dimmable/dimmable  
Dimmer: DALI/0~10v/Triac



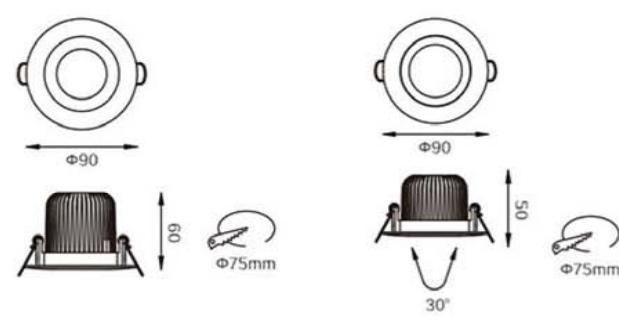
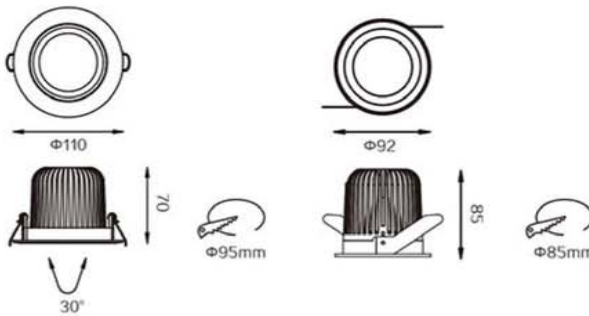
### Beam angle



### Color selection







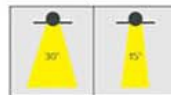
**FS1022-16 / FS5076-14**  
Max.16W

Operating Temp. : -30°C + 40°C  
14W COB chip (DC600mA)  

- 2700K/1120lm Ra90
- 3000K/1248lm Ra90
- 4000K/1408lm Ra80
- 5000K/1568lm Ra70

Remote Driver: AC100-240V 50/60Hz  
Driver performance: Non-dimmable/dimmable  
Dimmer: DALI/0~10v/Triac

Beam angle



Color selection



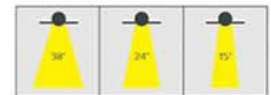
**FS1008-09 / FS1007-09**  
Max.9W

Operating Temp. : -30°C + 40°C  
7.5W COB chip (DC350mA)  

- 2700K/635lm Ra90
- 3000K/712lm Ra90
- 4000K/792lm Ra80
- 5000K/886lm Ra70

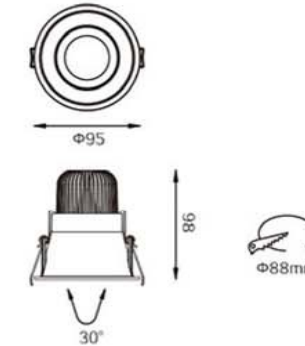
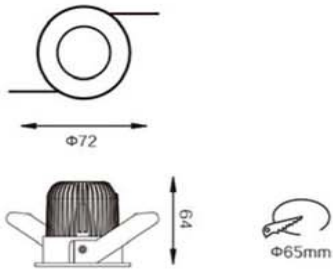
Remote Driver: AC100-240V 50/60Hz  
Driver performance: Non-dimmable/dimmable  
Dimmer: DALI/0~10v/Triac

Beam angle



Color selection





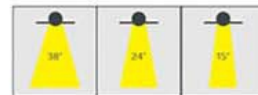
**FS5075-09**  
Max.9W

Operating Temp. : -30°C + 40°C  
7.5W COB chip (DC350mA)

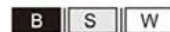
- 2700K/635lm Ra90
- 3000K/712lm Ra90
- 4000K/792lm Ra80
- 5000K/886lm Ra70

Remote Driver: AC100-240V 50/60Hz  
Driver performance: Non-dimmable/dimmable  
Dimmer: DALI/0~10v/Triac

Beam angle



Color selection



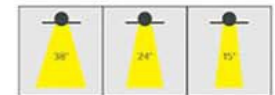
**FS1061-09**  
Max.9W

Operating Temp. : -30°C + 40°C  
7.5W COB chip (DC350mA)

- 2700K/635lm Ra90
- 3000K/712lm Ra90
- 4000K/792lm Ra80
- 5000K/886lm Ra70

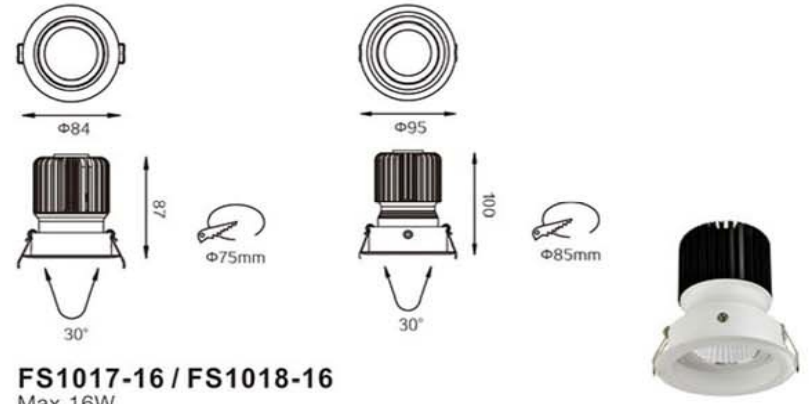
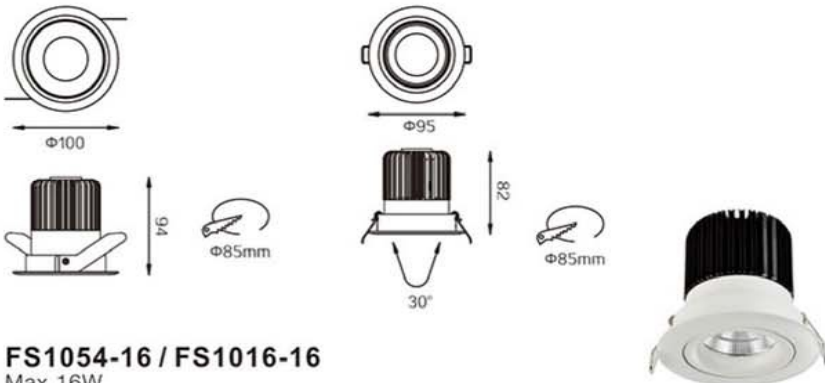
Remote Driver: AC100-240V 50/60Hz  
Driver performance: Non-dimmable/dimmable  
Dimmer: DALI/0~10v/Triac

Beam angle



Color selection





**FS1054-16 / FS1016-16**  
Max. 16W

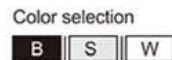
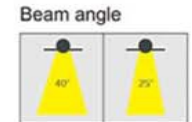
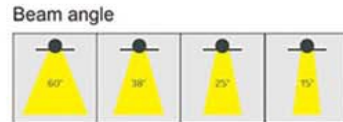
**FS1017-16 / FS1018-16**  
Max. 16W

Operating Temp. : -30°C + 40°C  
14W COB chip (DC350mA)  

- 2700K/1120lm Ra90
- 3000K/1256lm Ra90
- 4000K/1408lm Ra80
- 5000K/1568lm Ra70

Operating Temp. : -30°C + 40°C  
14W COB chip (DC600mA)  

- 2700K/1120lm Ra90
- 3000K/1248lm Ra90
- 4000K/1408lm Ra80
- 5000K/1568lm Ra70



Remote Driver: AC100-240V 50/60Hz  
Driver performance: Non-dimmable/dimmable  
Dimmer: DALI/0~10v/Triac

Remote Driver: AC100-240V 50/60Hz  
Driver performance: Non-dimmable/dimmable  
Dimmer: DALI/0~10v/Triac